



PUIaudio



Data Sheet

AT-0927-TT-5V

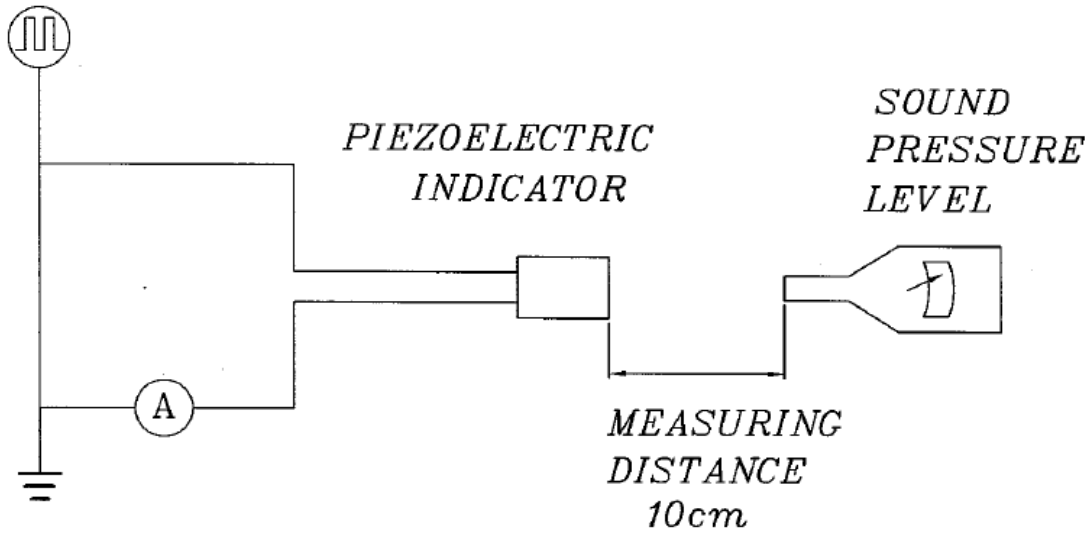
Features:

- 9x4.5mm transducer
- Through Hole for ease of installation
- 5 V_{0-p} for ease of powering

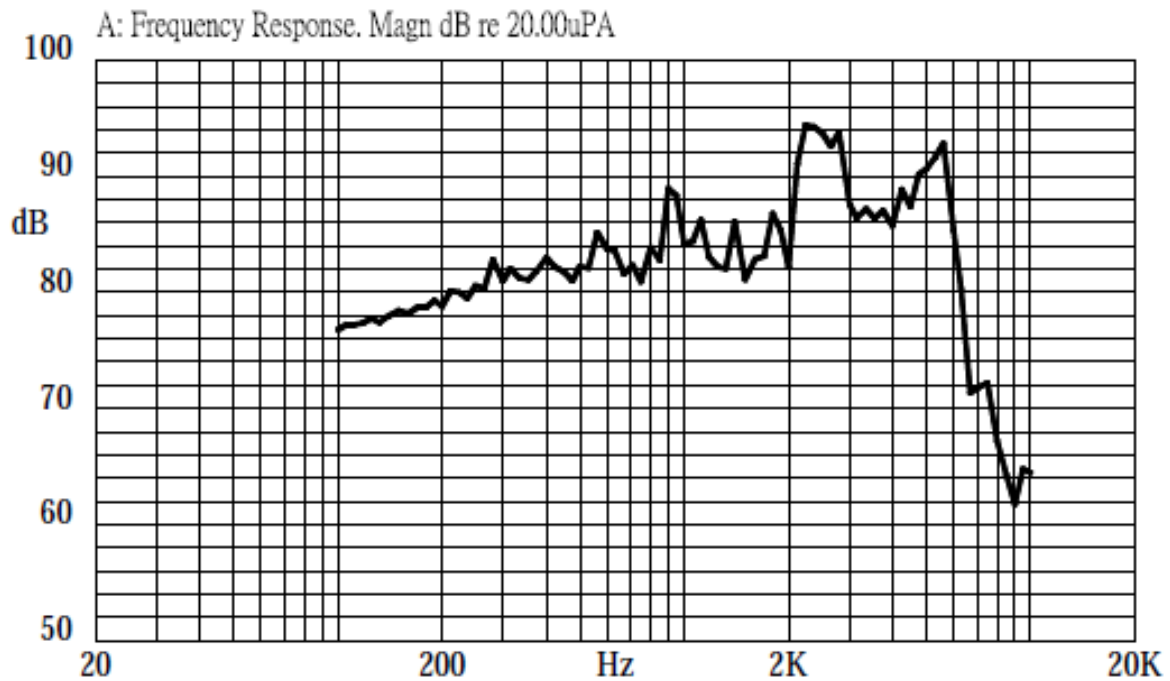
Specifications

Parameters	Values	Units
Rated Voltage	5	V _{0-p}
Operating Voltage Range	4 ~ 6	V _{0-p}
Current Draw at Rated Voltage	80	mA
Coil Resistance	30 ± 4.5	Ω
Minimum SPL @ 10cm	85	dBA
Resonant Frequency	2,730 ± 500	Hz
Housing Material	PPO (Black)	-
Terminal Material	Au Plating	-
Weight	0.6	Grams
Environmental Compliances	<i>RoHS/REACH</i>	Ex. 7c-1
Storage Temperature	-30 ~ 80	°C
Operating Temperature	-20 ~ 70	°C

Measurement Method (2.5V0-p; 2.7kHz)



Typical Frequency Response (2.5V0-p; 2.7kHz)

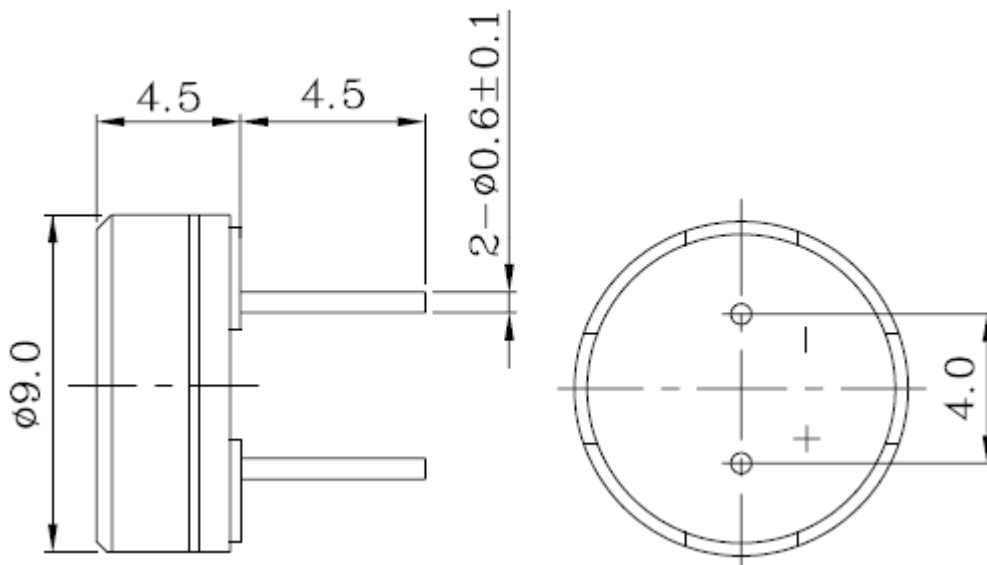


Reliability Testing

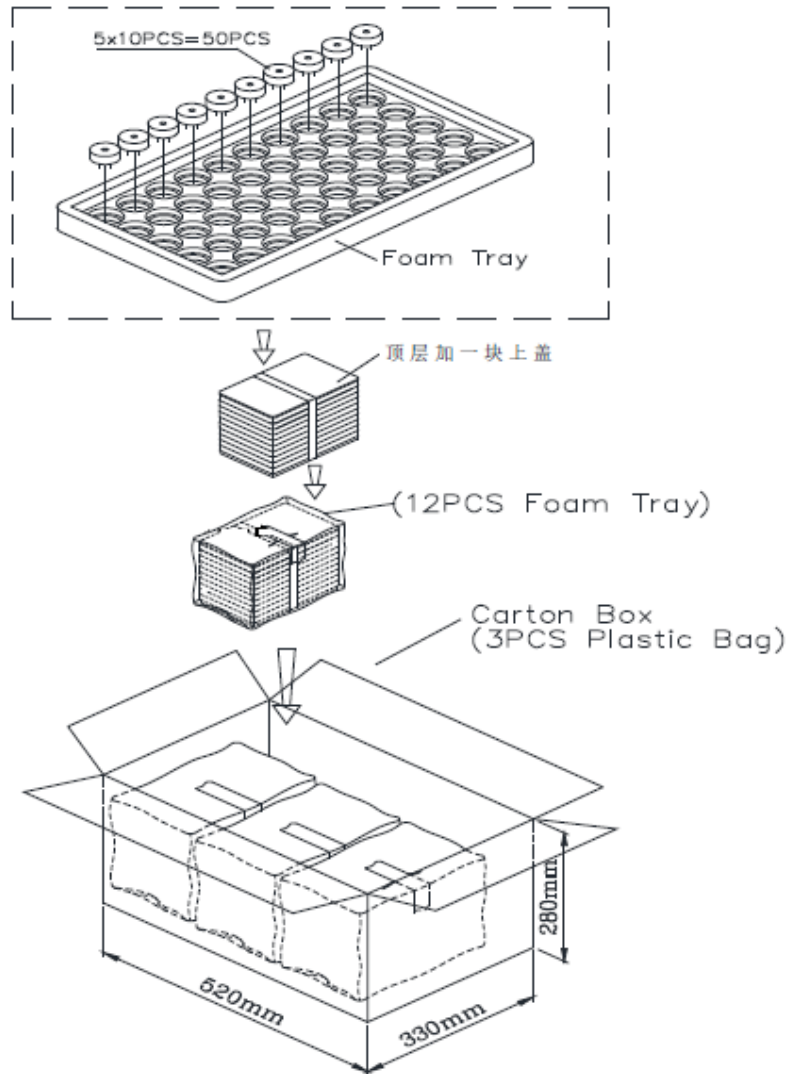
Type of Test	Test Specifications
High Temperature Test	96 hours at 80°C
Low Temperature Test	96 hours at -30°C
Temperature Cycle Testing	Run for 10 cycles with each cycle consisting of:
Vibration Test	Frequency: 10Hz to 55Hz; Amplitude: 1.55mm 2 hours in each of the X,Y, and Z axes
Drop Test	Drop from a height of 75cm onto a 40mm thick board 3 times in each of the X, Y, and Z axes

After each test, let the part rest for 4 hours, then the change in SPL shall be within ±10dB

Dimensions



Packaging



Foam Tray	315mmx170mmx28mm	1x50PCS=50PCS
Plastic Bag		12x50PCS=600PCS
Carton Box	520mmx330mmx280mm	3x600PCS=1800PCS

Specifications Revisions

Revision	Description	Date	Approved
A	Released from Engineering	11/27/24	JD

Note:

1. Unless otherwise specified:
 - A. All dimensions are in millimeters.
 - B. Default tolerances are $\pm 0.5\text{mm}$ and angles are $\pm 3^\circ$.
2. Specifications subject to change or withdrawal without notice.