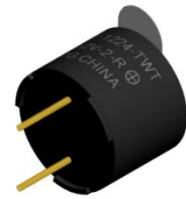




PUI audio



Data Sheet

AT-1224-TWT-12V-2-R

Features:

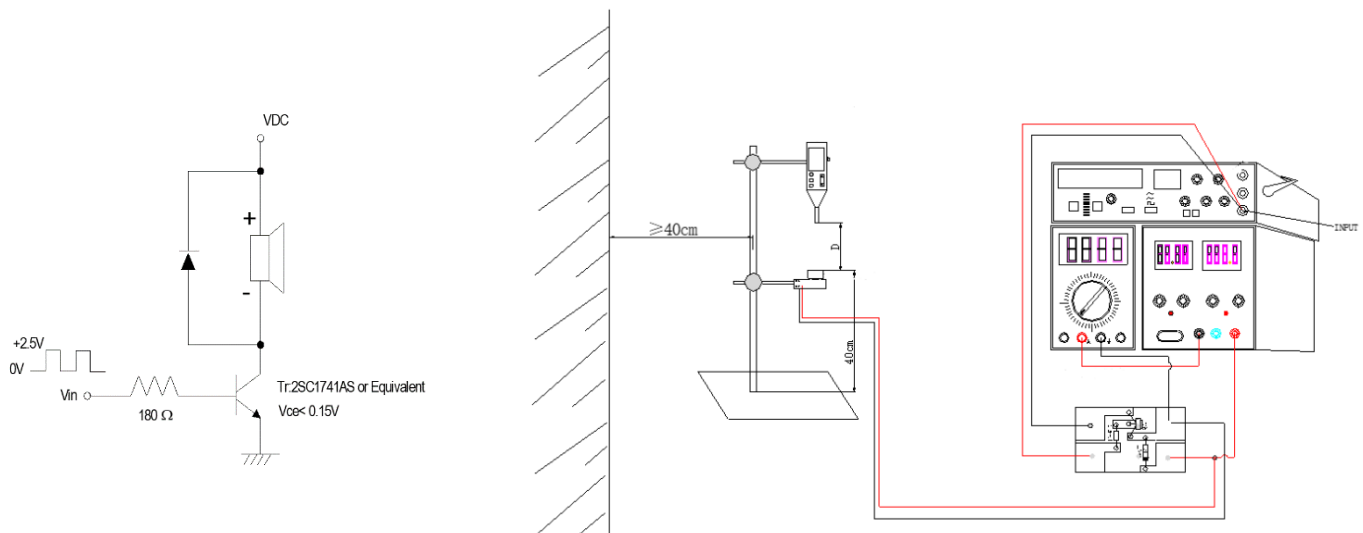
- 12Vpk, 2400Hz Magnetic Transducer
- Pin Type
- Wave Solder and Washing Allowed

Specifications

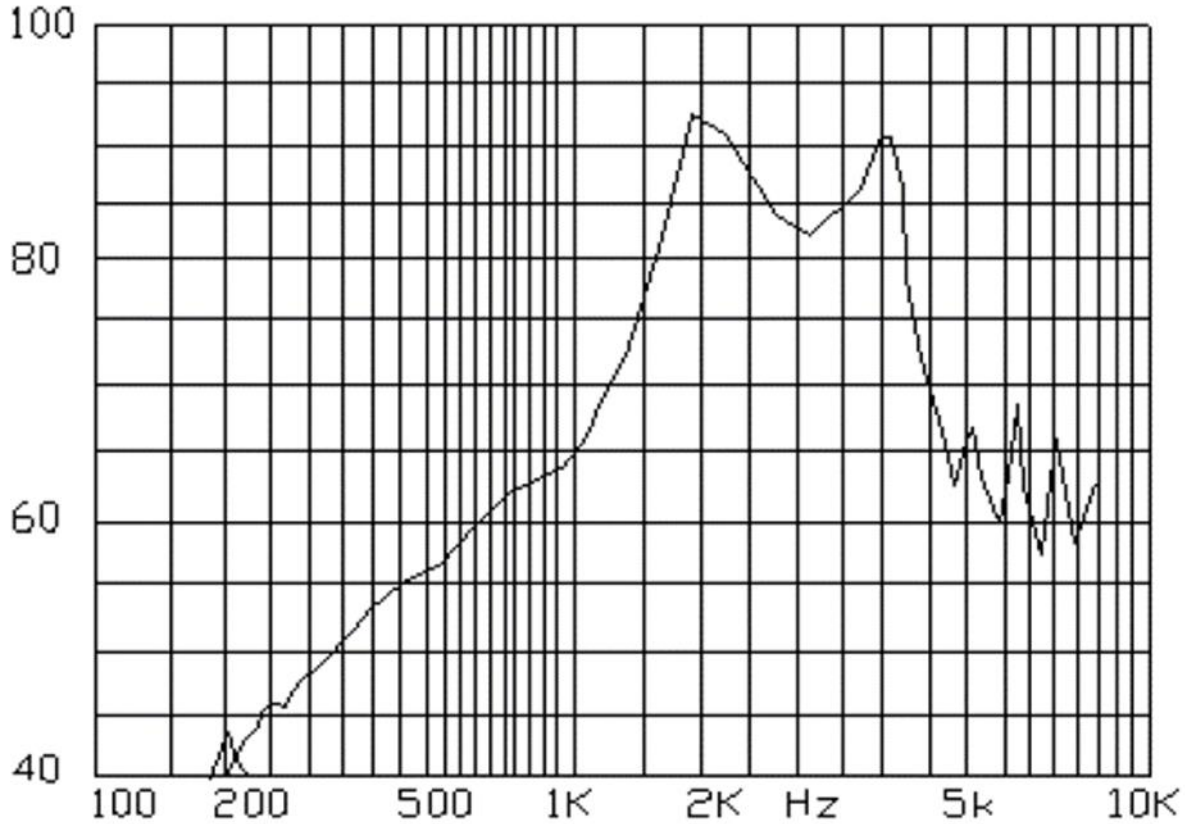
| Parameters | Values | Units |
|-------------------------------|--------------------------|-------|
| Rated Voltage | 12 | V0-p |
| Operating Voltage Range | 8 ~ 15 | V0-p |
| Current Draw at Rated Voltage | 40(Max.) | mA |
| Coil Resistance | 140 ± 21 | Ohms |
| Minimum SPL @ 10cm | 85 | dBA |
| Resonant Frequency | 2,400 ± 500 | Hz |
| Housing Material | PBT | - |
| Terminal Material | Sn Plated Brass | - |
| Weight | 2 | Grams |
| Acceptable Soldering Methods | Hand Solder, Wave Solder | - |
| Environmental Compliances | RoHS/REACH | - |
| Storage Temperature | -40 ~ +85 | °C |
| Operating Temperature | -30 ~ +80 | °C |

Measurement Method (Temperature: 25±3°C; Relative Humidity: 60% ~ 70%)

Standard Test Fixture (Distance: 10cm, 12V0-p, 2400Hzsquare wave)



Typical Frequency Response (12Vpk square wave, 10cm)

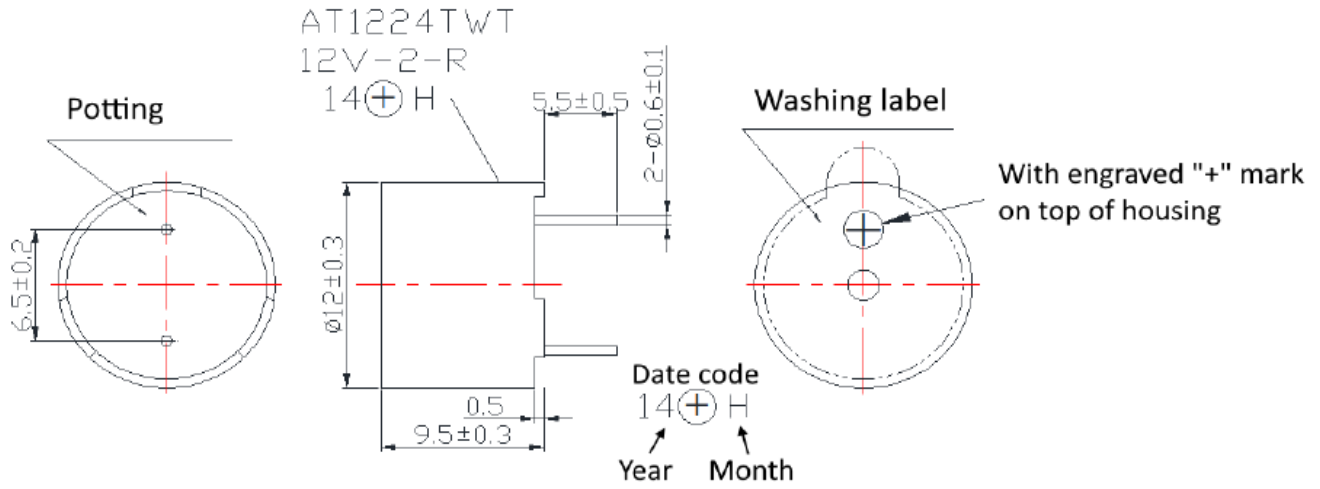


Reliability Testing

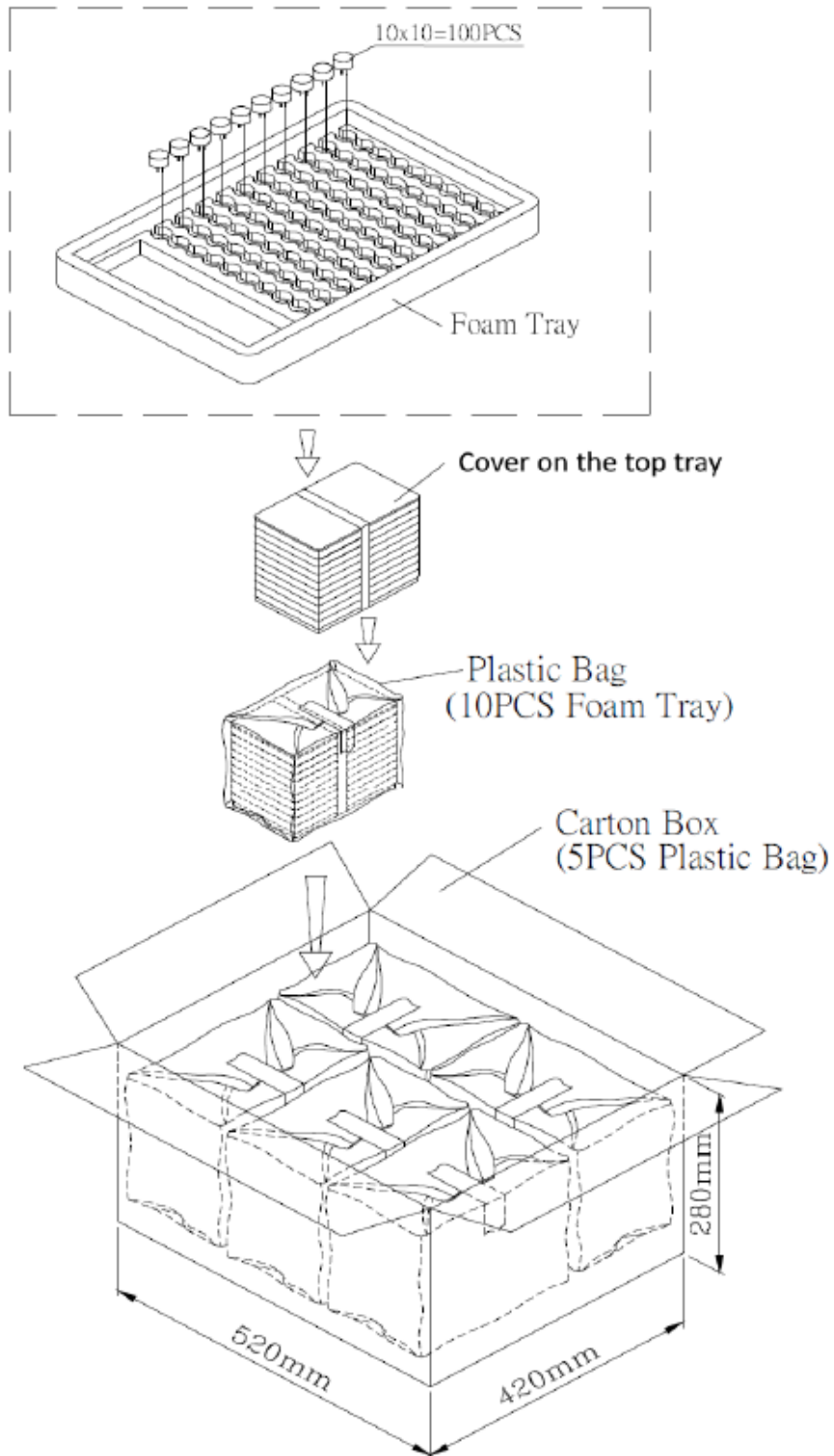
| Type of Test | Test Specifications |
|---------------------------|--|
| High Temperature Test | 96 hours at 70°C. |
| Low Temperature Test | 96 hours at -20°C . |
| Humidity Test | 96 hours at 40°C with relative humidity at 90-95%. |
| Temperature Cycle Testing | Subject part to 5 cycles of the following test. Once cycle shall be |
| Vibration Test | Applied vibration amplitude of 1.5mm with 10-55hz band of vibration frequency to each XYZ direction for 2 hours. |
| Drop Test | Drop onto a 4cm thick wooden board in any direction for 6 times from height of 75cm. |

*After tests, allow part to rest at normal room condition for 2 hrs. Part shall be ±10dB of state values.

Dimensions (Positive terminal marked with + on housing)



Packaging



| | | |
|-------------|-------------------|--------------------|
| Foam Tray | 240mmx160mmx30mm | 1x100PCS=100PCS |
| Plastic Bag | | 10x100PCS=1000PCS |
| Carton Box | 520mmx420mmx280mm | 5x1000PCS=5,000PCS |

Specifications Revisions

| Revision | Description | Date | Approved |
|-----------------|---|-------------|-----------------|
| - | RELEASED FROM ENGINEERING | 07/25/2014 | - |
| A | Update Spec Format, Add Details for Packaging, Reliability, etc. Revised Pin Plating to Sn, Revised Operating Voltage Range | 10/14/2024 | ML |

Note:

1. Unless otherwise specified:
 - A. All dimensions are in millimeters.
 - B. Default tolerances are $\pm 0.5\text{mm}$ and angles are $\pm 3^\circ$.
2. Specifications subject to change or withdrawal without notice.