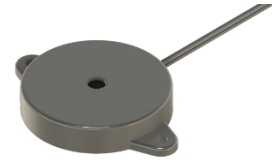




# PUIaudio



Data Sheet

AT-2441-T-HT-LW95

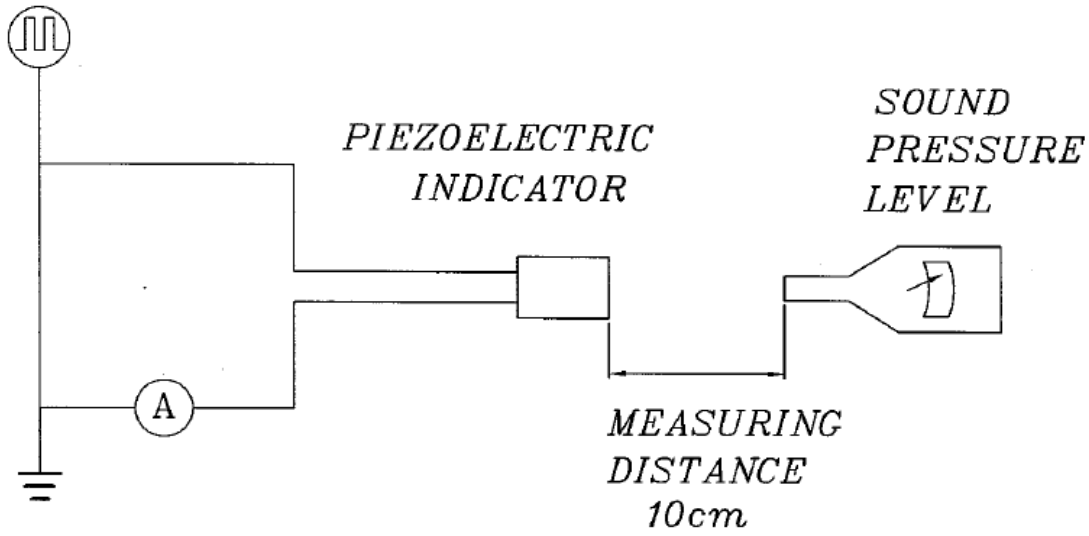
## Features:

- Low profile transducer
- Wide voltage range
- Lead wires for easy installation

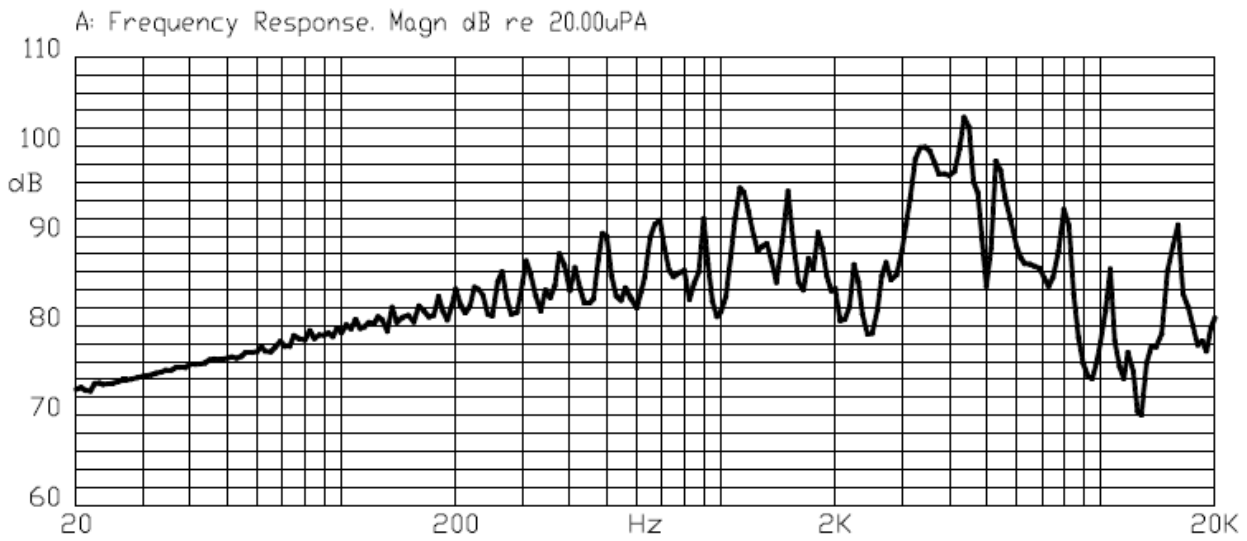
## Specifications

Parameters	Values	Units
Rated Voltage	10	Vp-p
Operating Voltage Range	10~30	Vp-p
Current Draw at Rated Voltage	12	mA
Capacitance	25,000 ± 30%	pF
Minimum SPL @ 10cm	90	dBA
Resonant Frequency	4,100 ± 500	Hz
Housing Material	ABS (Black)	-
Terminal Material	Lead Wires	-
Weight	2.2	Grams
Environmental Compliances	<i>RoHS/REACH</i>	Ex. 7c-1
Storage Temperature	-40 ~ 95	°C
Operating Temperature	-30 ~ 85	°C

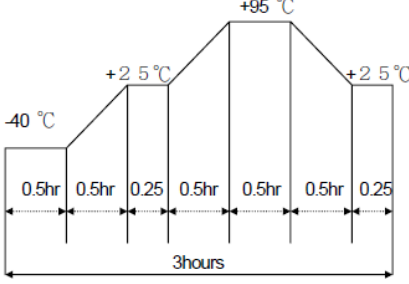
### Measurement Method (10Vpp; 4.1kHz)



### Typical Frequency Response (10Vpp; 4.1kHz)

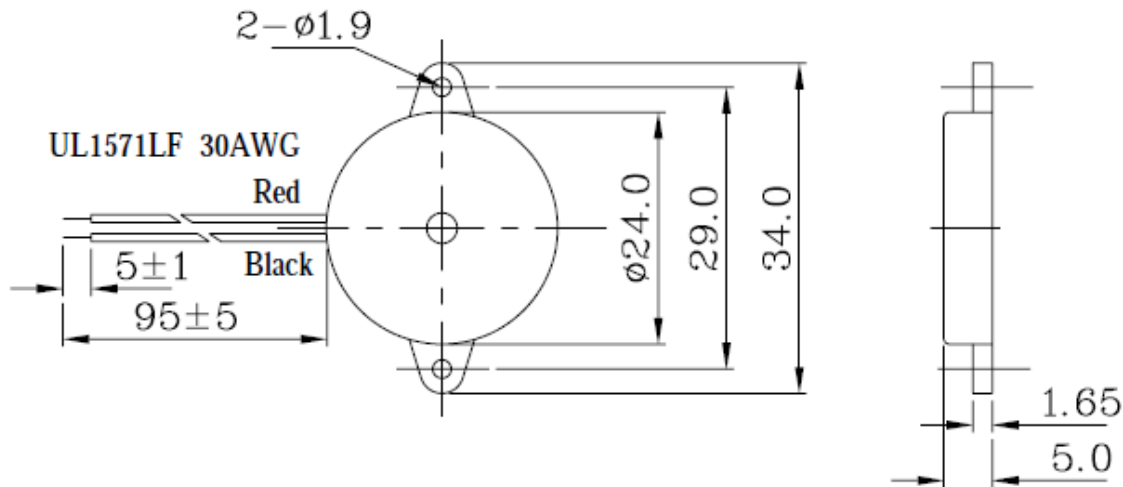


## Reliability Testing

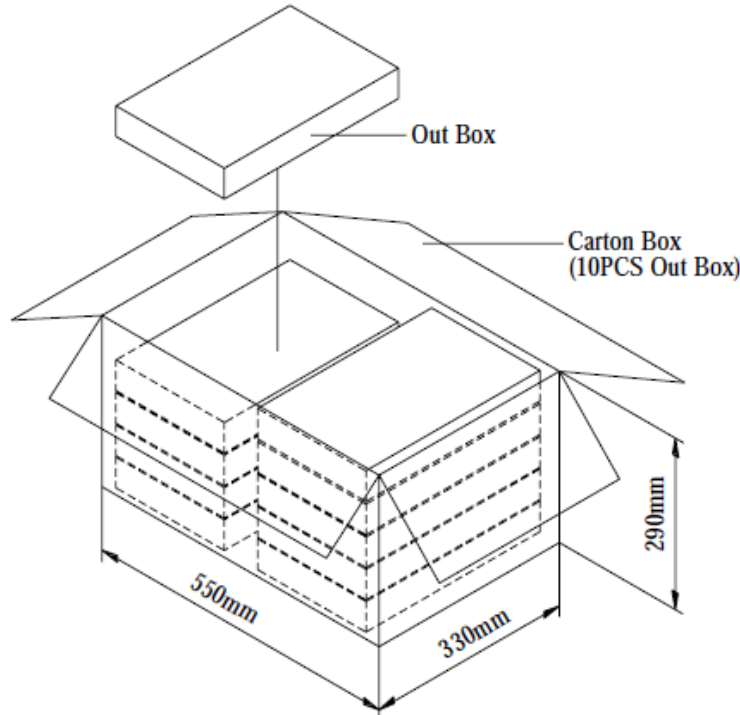
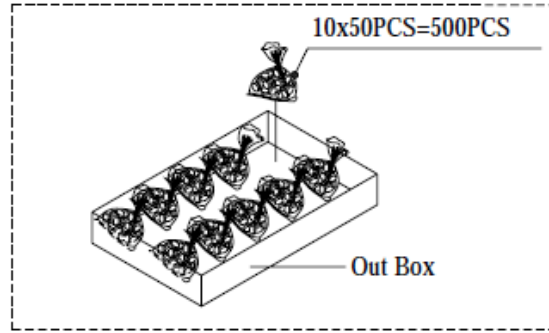
Type of Test	Test Specifications
High Temperature Test	240 hours at 95°C
Low Temperature Test	240 hours at -40°C
Humidity Test	240 hours at 40°C with relative humidity at 90%
Temperature Cycle Testing	Run for 5 cycles with each cycle consisting of: 
Vibration Test	Frequency: 10Hz to 55Hz; Amplitude: 1.55mm 2 hours in each of the X,Y, and Z axes
Drop Test	Drop from a height of 75cm onto a 40mm thick board 3 times in each of the X, Y, and Z axes

After each test, let the part rest for 4 hours, then the change in SPL shall be within  $\pm 10\text{dB}$

## Dimensions



## Packaging



Out Box	310mmx248mmx49mm	10x50PCS=500PCS
Carton Box	550mmx330mmx290mm	500PCSX10=5,000PCS

### Specifications Revisions

Revision	Description	Date	Approved
A	Released from Engineering	11/27/24	JD

Note:

1. Unless otherwise specified:
  - A. All dimensions are in millimeters.
  - B. Default tolerances are  $\pm 0.5\text{mm}$  and angles are  $\pm 3^\circ$ .
2. Specifications subject to change or withdrawal without notice.