



PUI audio



Data Sheet

AT-5532-TF-HT-LW190

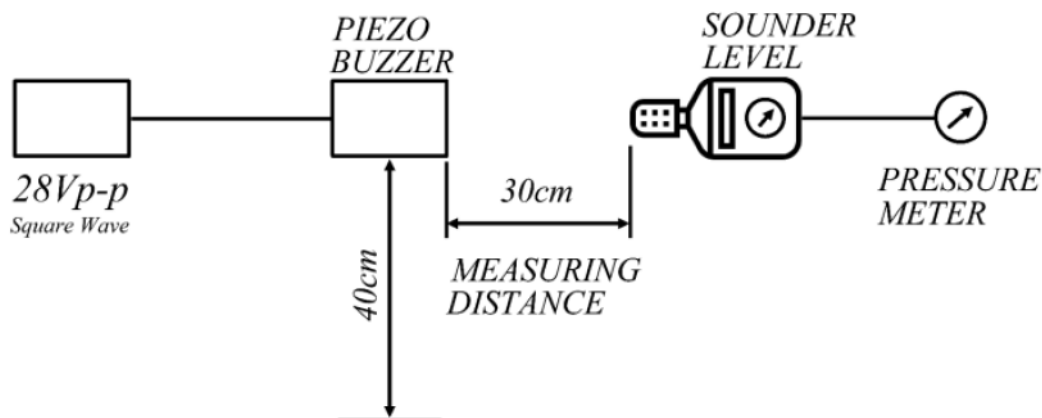
Features:

- Patented piezoelectric transducer
- IP66/67 Rated per IEC 60529
- 119.5dBA at 10cm
- Lead wire assembly

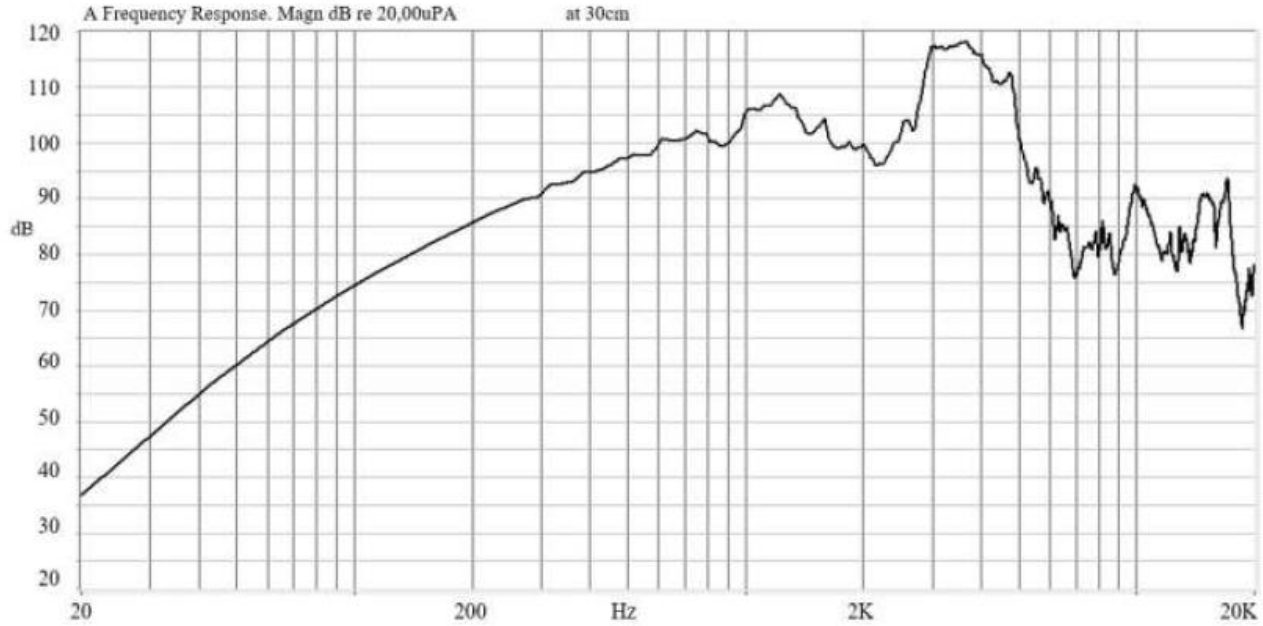
Specifications

Parameters	Values	Units
Rated Voltage	28	Vp-p
Operating Voltage Range	1 ~ 60	Vp-p
Current Draw at Rated Voltage	100	mA
Capacitance	100,000 ± 30%	pF
Minimum SPL @ 30cm	110	dBA
Resonant Frequency	3,200 ± 500	Hz
Housing Material	PBT Black	-
Terminal Material	Wire	-
Weight	28	Grams
Ingress Protection Rating	IP66/67	-
Environmental Compliances	RoHS/REACH	Ex. 7c-1
Storage Temperature	-40 ~ 85	°C
Operating Temperature	-40 ~ 85	°C

Measurement Method (28Vp-p; 3.2kHz)



Typical Frequency Response (28Vp-p; 3.2kHz)

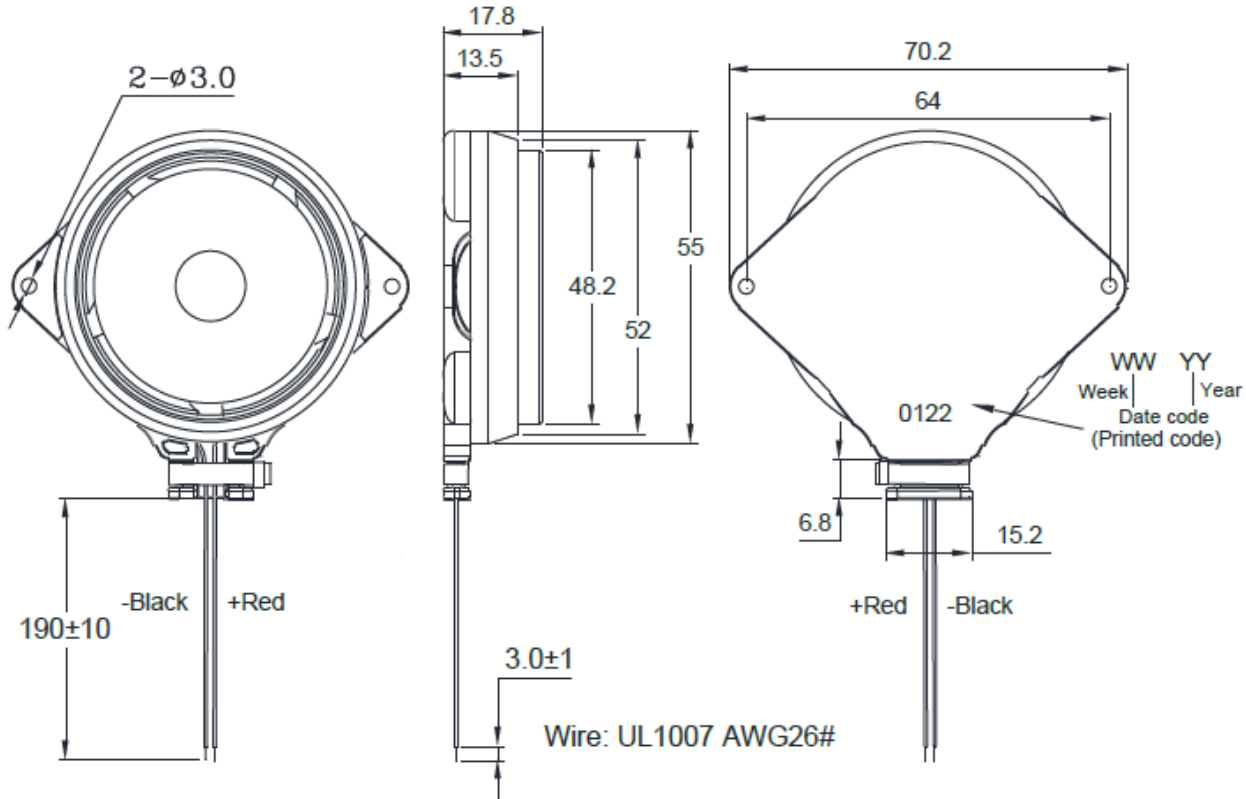


Reliability Testing

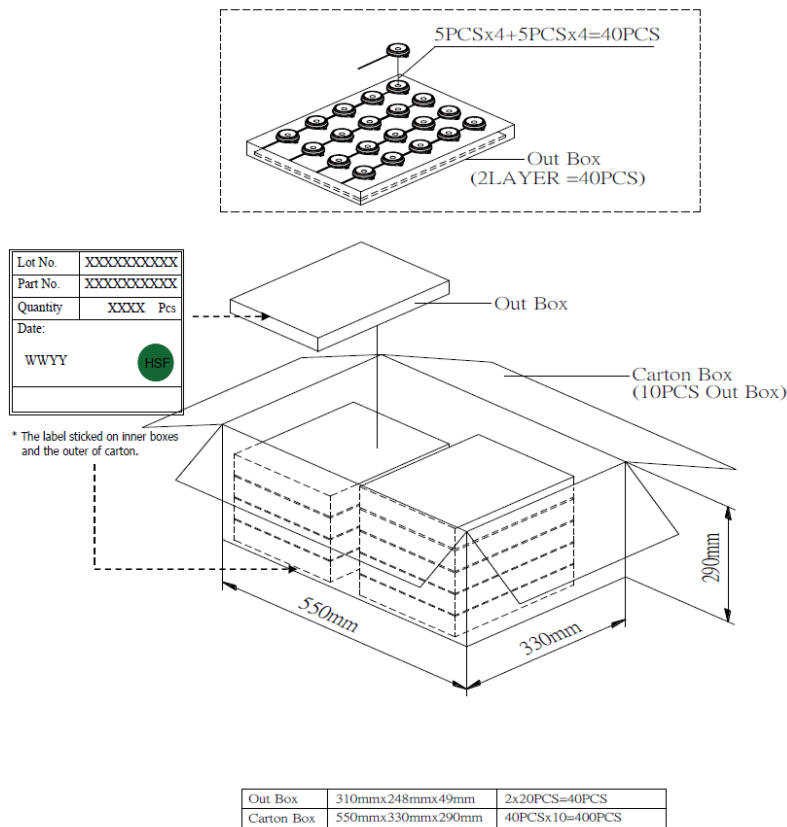
Type of Test	Test Specifications
High Temperature Test	240 hours at 85°C
Low Temperature Test	240 hours at -40°C
Humidity Test	240 hours at 40°C with relative humidity at 85~95%
Temperature Cycle Testing	Run for 5 cycles with each cycle consisting of:
Vibration Test	Frequency: 10 to 55 hz; Amplitude: 1.5mm Duration: 3 hours each in the X, Y, and Z directions
Drop Test	The part shall be dropped from a height of 75cm onto a 40mm thick wooden board 3 times in 3 axes (X.Y.Z).

After each test, let rest for 4 hours and then the change in SPL shall be within $\pm 10\text{dB}$

Dimensions (If polarity needs to be observed, mention it here and call out location of positive pin/pad)



Packaging



Specifications Revisions

Revision	Description	Date	Approved
A	Released from Engineering	09/14/2023	JD
B	Revised Operating Voltage Range	11/11/2024	ML

Note:

- 1. Unless otherwise specified:
 - A. All dimensions are in millimeters.
 - B. Default tolerances are $\pm 0.5\text{mm}$ and angles are $\pm 3^\circ$.
- 2. Specifications subject to change or withdrawal without notice.