



PUI audio



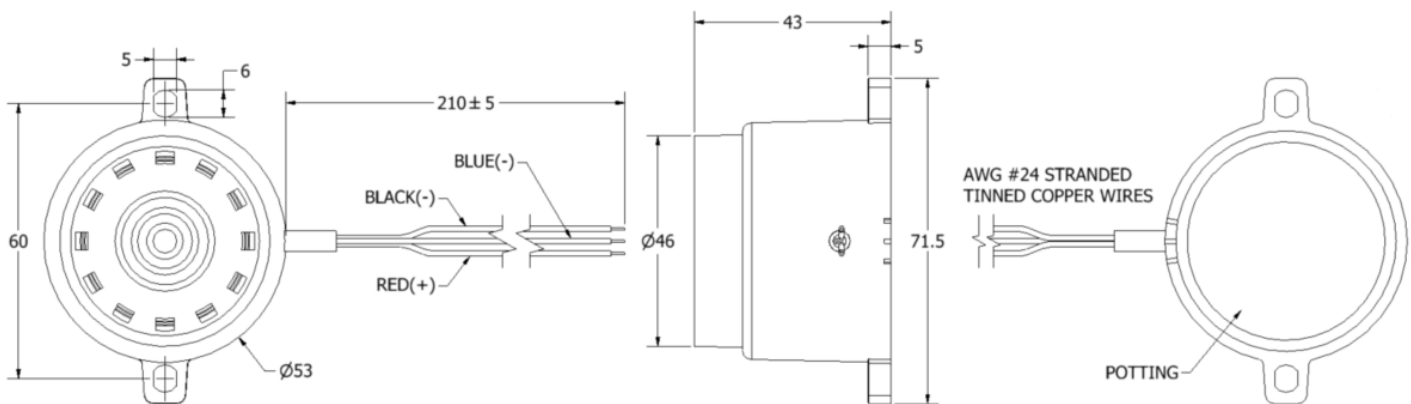
Data Sheet

AW-10FR-NSVC

Specifications

Parameters	Values	Units
Rated Voltage	24	Vdc
Operating Voltage Range	9 ~ 28	Vdc
Rated Current (Typical)	35	mA
Typical SPL @ 1M	92	dBA
Frequency Range	2,700 ~ 3,100	Hz
Sweep Rate	4	Hz
Continuous Tone/ Pulsing Tone	Red (+) & Blue (-)/ Red (+) & Black (-)	-
Case Material/Color	ABS/Red	-
Terminal	LEAD WIRE	AWG 24
Weight	80	Grams
Ingress Protection Rating	IP65	-
Environmental Compliances	RoHS/REACH	-
Operating Temperature	-25 ~ +70	°C

Dimensions



Specifications Revisions

Revision	Description	Date	Approved
-	Released from Engineering	12/15/2005	-
A	Added RoHS Note & IP Specification	05/21/2007	R.W
B	Revised to Inventor 3-D Drawing Template	03/11/2009	B.R.
C	Revised Lead Wire Length and Overall Length	06/08/2010	B.R.
D	Revised Rated Voltage, Current, SPL, and Distance	11/19/2021	M.L.
E	Added Polarity Indication, Lead Wire Gauge	05/29/2024	M.L.

Note:

1. Unless otherwise specified:
 - A. All dimensions are in millimeters.
 - B. Default tolerances are $\pm 0.5\text{mm}$ and angles are $\pm 3^\circ$.
2. Specifications subject to change or withdrawal without notice.