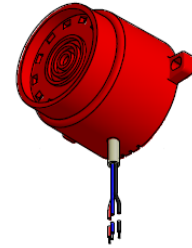




PUI audio



Data Sheet

AW-10FR

Specifications

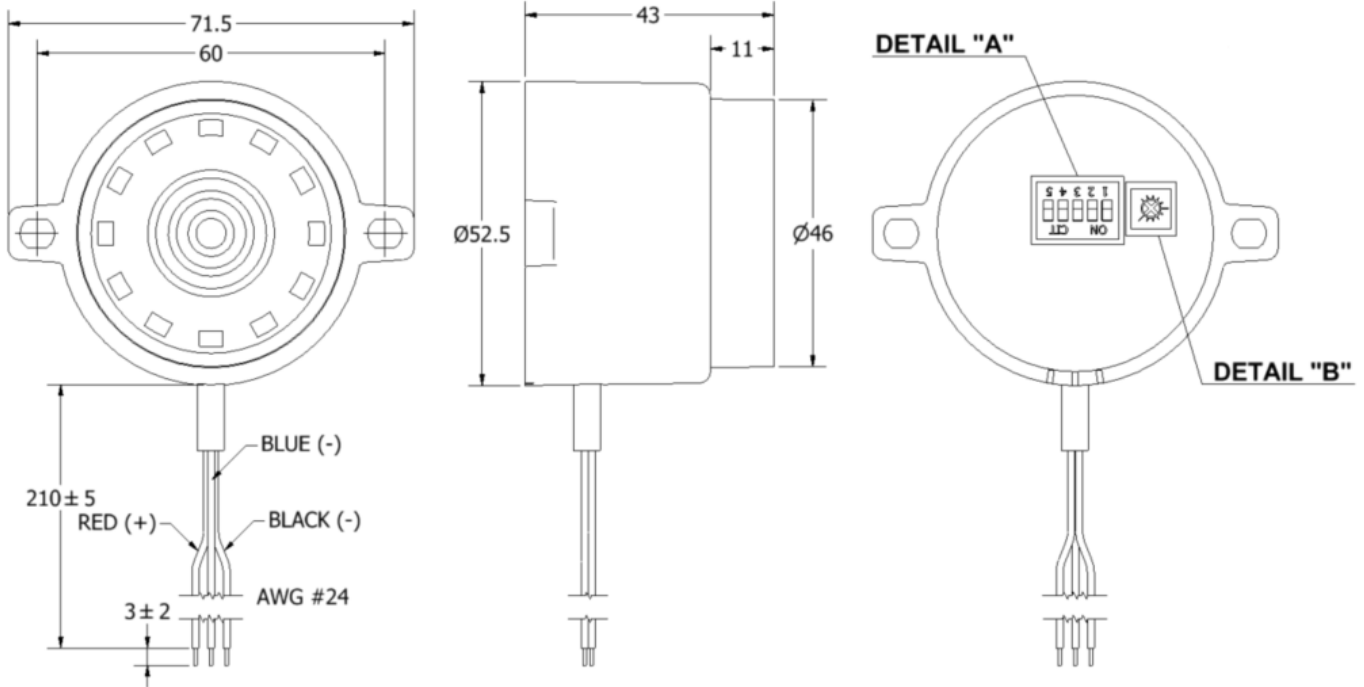
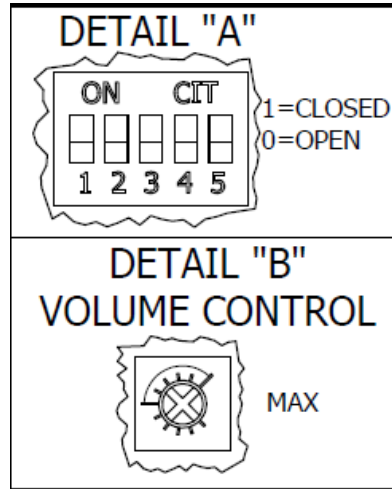
Parameters	Values	Units
Rated Voltage	24	Vdc
Operating Voltage Range	9 ~ 28	Vdc
Case Material/Color	ABS/Red	-
Terminal	LEAD WIRE	-
Weight	85	Grams
Ingress Protection Rating	IP65	-
Environmental Compliances	RoHS/REACH	-
Operating Temperature	-25 ~ +70	°C

Tone Chart

Tones table							Askari			
((1))	((2))	Pattern	Frequency Hz	Rate	Main Application	Panel		Flange		
						mA	dB(A)	mA	dB(A)	
1	14	11111	Alternating	800 & 970	2Hz (250ms-250ms)	12	93	12	93	
2	14	11110	Sweep	800 to 970	7Hz (7/s)	14	97	12	92	
3	14	11101	Sweep	800 to 970	1Hz (1/s)	12	97	12	94	
4	14	11100	Continuous	2850	Steady	31	98	32	95	
5	4	11011	Sweep	2400 to 2850	7Hz	36	94	40	100	
6	4	11010	Sweep	2400 to 2850	1Hz	35	104	41	102	
7	14	11001	Slow whoop	500 to 1200	3s sweep, 0.5 s silence, then repeat	12	106	14	95	
8	14	11000	Sweep (DIN)	1200 to 500	1Hz	15	99	15	94	
9	4	10111	Alternating	2400 & 2850	2Hz (250ms-250ms)	29	98	33	97	
10	14	10110	Intermittent	970	0.5Hz (1s On/1s Off)	10	99	12	92	
11	14	10101	Alternating	800 & 970	1Hz (500ms-500ms)	12	93	12	92	
12	4	10100	Intermittent	2850	0.5Hz (1s On/1s Off)	20	94	28	94	
13	14	10011	Intermittent	970	0.8Hz (250ms On/1s Off)	6	92	6	92	
14	1	10010	Continuous	970	Steady	14	93	12	92	
15	14	10001	Alternating	554 & 440	100ms-400ms	17	98	15	94	
16	19	10000	Intermittent	660	3.3Hz (150ms On/150ms Off)	8	95	7	92	
17	19	01111	Intermittent	660	0.28Hz (1.8s On/1.8s Off)	8	96	9	93	
18	19	01110	Intermittent	660	0.05Hz (13s Off / 6.5s On)	12	96	10	93	
19	1	01101	Continuous	660	Steady	12	96	10	93	
20	19	01100	Alternating	554 & 440	0.5Hz (1s On/1s Off)	16	98	15	94	
21	14	01011	Intermittent	660	1Hz (500ms-500ms)	8	96	9	93	
22	14	01010	Intermittent	2850	4Hz (150ms On/100ms Off)	20	93	18	94	
23	14	01001	Sweep	800 to 970	50Hz	13	96	12	92	
24	4	01000	Sweep	2400 to 2850	50Hz	36	104	41	99	
25	14	00111	Intermittent	970	3 x 500ms pulses, 1.5s silence, then repeat	9	93	9	92	
26	14	00110	Intermittent	800 to 970	3 x 500ms pulsed sweep, 1.5s silence, then repeat	7	98	8	93	
27	14	00101	Intermittent	970 & 800	3 x 500ms pulsed sweep, 1.5s silence, then repeat	8	92	8	92	
28	10	00100	Alternating	800 & 970	2Hz (250ms-250ms)	12	93	11	92	
29	988Hz	00011	Alternating	990 & 650	2Hz (250ms-250ms) (Symphoni tones)	22	97	16	96	
30	510Hz	00010	Alternating	510 & 610	2Hz (250ms-250ms) (Squashni Micro tones)	16	96	15	93	
31	14	00001	Sweep	300 to 1200	1Hz	23	99	20	94	
32	510Hz	00000	Alternating	510 & 610	1Hz (500mS-500mS)	17	96	16	94	

*Although the device is functionally IP65 compliant, excessive contamination and / or fluid build-up between the sounding element and the plastic enclosure may result in a reduction of performance. Depending on environment routine inspection / maintenance of the device may be recommended accordingly. It is also advised that after any cleaning process excessive water is removed from between the sounding element and the plastic enclosure e.g. by use of a clean air aerosol. Switches & terminal block are located on the rear surfaces. The AP must be mounted through the surface of a suitable IP 65 housing. The AF rear surface must be protected from water / dust ingress. The supply cable and tube must be protected from water and dust ingress.

Dimensions



Specifications Revisions

Revision	Description	Date	Approved
-	Released from Engineering	12/15/2005	-
A	Added Volume Control & Tone Switches	12/19/2006	R.W.
B	Revised Lead Wire Dimensions	12/20/2006	R.W.
C	Revised RoHS Note	05/21/2007	R.W.
D	Revised Detail "A" DIP Switch	03/11/2009	B.R.
E	Revised to Inventor 3-D Drawing Template	06/11/2010	B.R.
F	Update Spec Format, Added Flange-to-Flange Dimension	05/29/2024	M.L.

Note:

- Unless otherwise specified:
 - All dimensions are in millimeters.
 - Default tolerances are $\pm 0.5\text{mm}$ and angles are $\pm 3^\circ$.
- Specifications subject to change or withdrawal without notice.