



# PUIaudio



Data Sheet

HD-EMB1606-SC

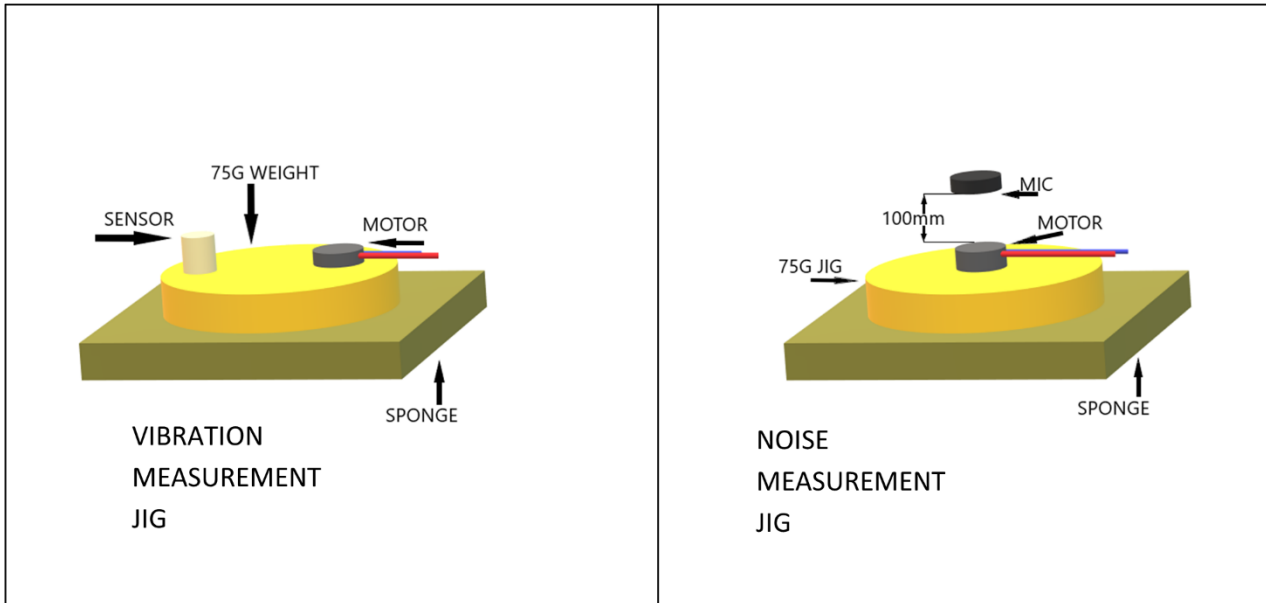
## Features:

- 16.2mm x 6mm cylindrical design
- 105mA rated current
- 11,000 rpm rated speed
- Spring contacts

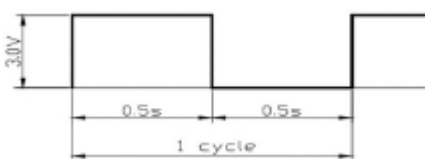
## Specifications

Parameters	Values	Units
Input Voltage (DC)	3	V <sub>DC</sub>
Starting Voltage (DC)	1.7	V <sub>DC</sub>
Operating Voltage Range (DC)	2.2 ~ 3.6	V <sub>DC</sub>
Direction of Rotation	CW/CCW	-
Rated Speed	11,000 ± 2,500	RPM
Rated Current (Max at 3.0 V <sub>DC</sub> )	75	mA
Starting Current (Max at 3.0 V <sub>DC</sub> )	105	mA
Terminal Resistance	36 ± 20%	Ohms
Shaft End Play (Max)	0.2	mm
Mechanical Noise (Max)	50	dBA
Environmental Compliances	RoHS/REACH	-
Weight	0.8	Grams
Storage Temperature	-40 ~ +85	°C
Operating Temperature	-20 ~ +60	°C

## Measurement Methods

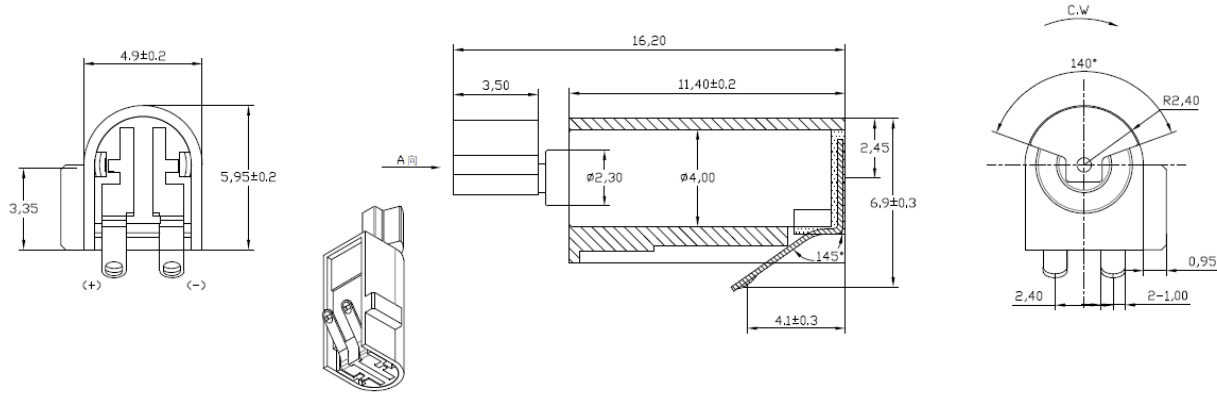


## Reliability Testing

Type of Test	Test Specifications
High Temperature Test	Temperature: $+60\pm 2^{\circ}\text{C}$ Test Duration Time: 96 hours
Low Temperature Test	Temperature: $-40\pm 2^{\circ}\text{C}$ Test Duration Time: 96 hours
Humidity Test	Temperature: $40^{\circ}\text{C}$ Relative Humidity: 90~95% Test Duration Time: 96 hours
Thermal Shock Test	Temperature Cycle: $-30$ to $+70^{\circ}\text{C}$ Cycle Time: 2 hours Test Repetition: 20 cycles (40 hours total)
Lifetime test	Voltage: 3.0 Vdc Test Mode: 0.5sec On, 0.5sec Off, as 1 cycle Total Cycles: 200,000 
Drop Test	Drop Condition: 1.5m onto iron plate at weight 75g Test Repetition: 2 times per side (6 total)
Load Test	200,000 operating cycles at room temperature Test Cycle: 0.5 seconds on, 0.5 seconds off

**Rated current, speed, starting voltage, and mechanical noise must meet specifications after allowing the device to rest for 2 hours after test.**

## Dimensions



## Packaging

100 pcs/tray, size of tray: 230mm\*158mm\*15mm.

10 trays/stack, Qty/ stack: 1000pcs.

2 stacks/inner box, Qty/inner box: 2000pcs.

2 inner boxes/carton, size of carton: 340mm\*290mm\*255mm..

### Specifications Revisions

Revision	Description	Date	Approved
A	RELEASED FROM ENGINEERING	12/13/2024	JD

Note:

- Unless otherwise specified:
  - All dimensions are in millimeters.
  - Default tolerances are  $\pm 0.1$ mm and angles are  $\pm 3^\circ$ .
- Specifications subject to change or withdrawal without notice.