



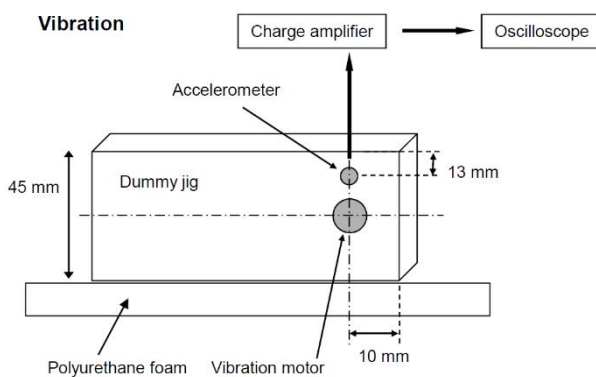
Data Sheet

HD-LA0802-LW30-R

## Specifications

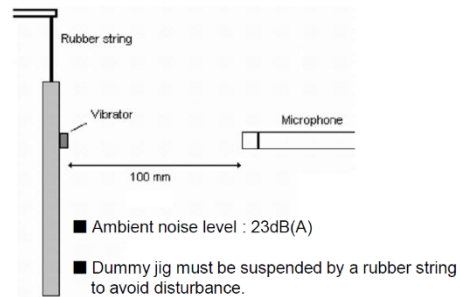
Parameters	Values	Units
Input Voltage (AC Sinewave)	1.2	Vrms
Operational Frequency	240	Hz
Terminal Resistance	32 ± 3	Ohms
Vibration	0.75	Gs RMS
Rise Time (50% of steady state)	30	mS
Fall Time (50% of steady state)	30	mS
Magnet Material	NdFeB	-
Acoustic Noise (Max)	50	dBA
Housing Material	SPC	-
Environmental Compliances	RoHS/REACH	-
Weight	0.8 ± 0.1	Grams
Storage Temperature	-20 ~ +70	°C
Operating Temperature	-40 ~ +80	°C

## Measurement Methods

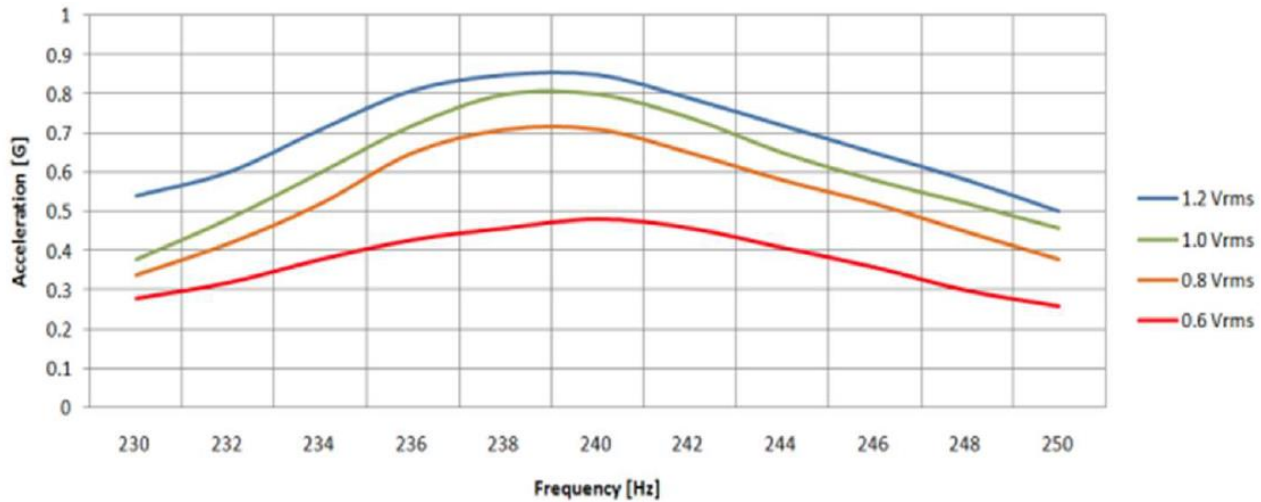


- Specification of the dummy Jig
  - Size : 45mm x 105mm x 15mm
  - Weight : 100gr
  - Material : Bakelite
  - Vibration motor should be attached by using a double-sided tape

## Acoustic noise



## Typical Frequency Response Characteristics

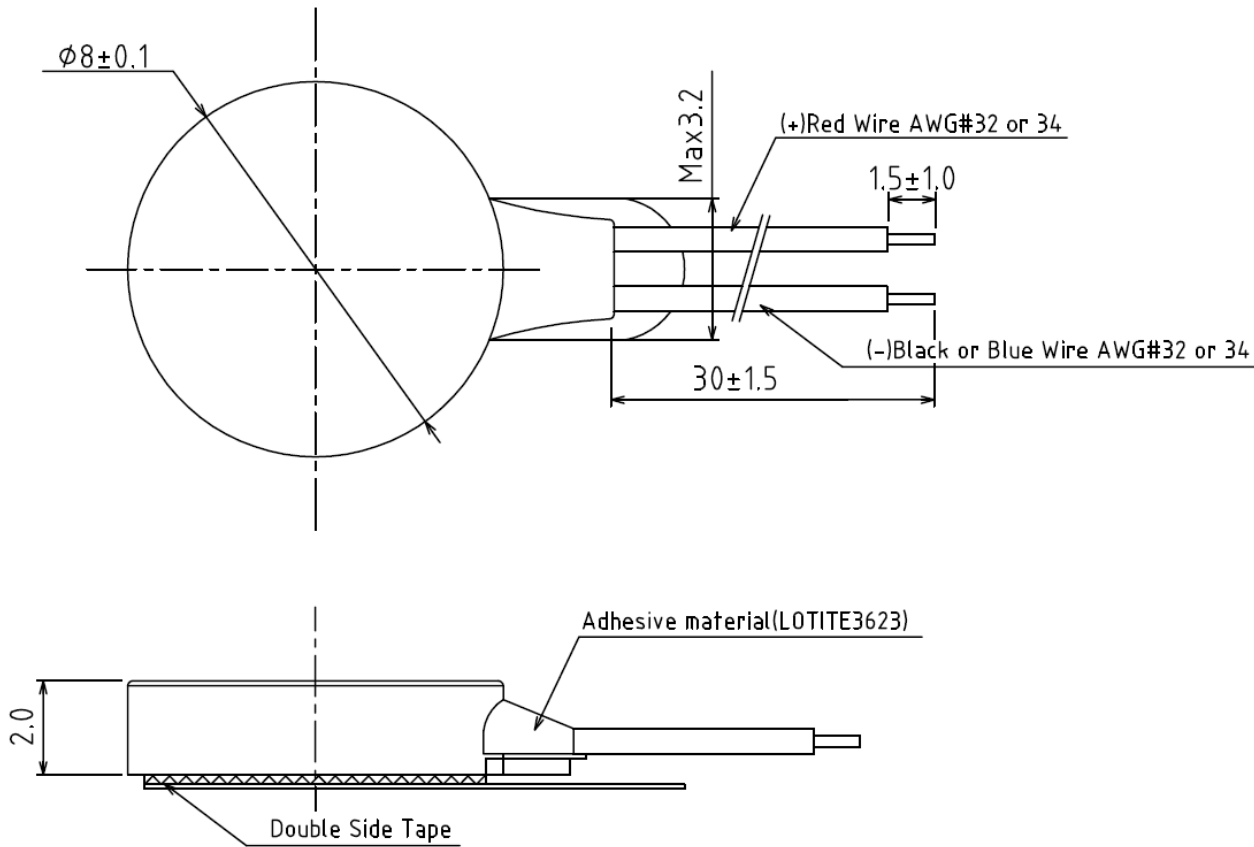


## Reliability Testing

Type of Test	Test Specifications
High Temperature Test	168 hours at 80°C
Low Temperature Test	168 hours at -40°C
Humidity Test	168 hours at 60°C, with 90% humidity
Thermal Shock Test	Temperature: -40°C ± 85°C, 1 hour 1 cycle each, total 25 cycles
Drop Test	Shall be dropped from 150cm height on the steel plate with 100g Weight JIG. 1) 3times for each side 2) Total 18times
Life Cycle Test	200,000 operating cycles in room temperature Cycle test condition: 1.5 seconds on, 0.5 second off

**Acceleration, resistance, rated current and noise must meet specifications after allowing the device to rest for 2 hours after test.**

## Dimensions



**Specifications Revisions**

Revision	Description	Date
A	Released from Engineering	10/29/2021
B	Updated Part Number to reflect linear actuator	4/20/2022

Note:

1. Unless otherwise specified:
  - A. All dimensions are in millimeters.
  - B. Default tolerances are  $\pm 0.5\text{mm}$  and angles are  $\pm 3^\circ$ .
2. Specifications subject to change or withdrawal without notice.