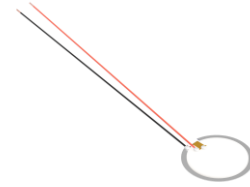




PUIaudio



Data Sheet

HD-PAB2001-LW100

Features:

- 20mm large displacement actuator
- Ideal for micropump applications

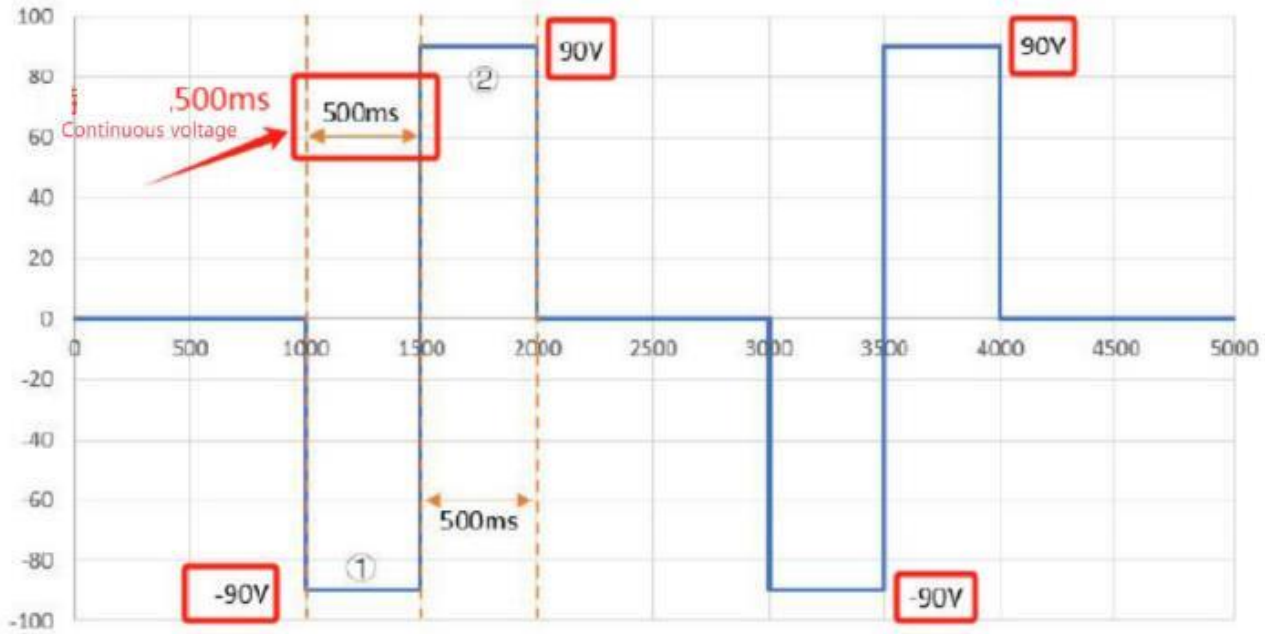
Design:

- RoHS/REACH exempt PZT ceramics
- Actuator dimensions: $\varnothing 20 \times 0.7$ (mm)

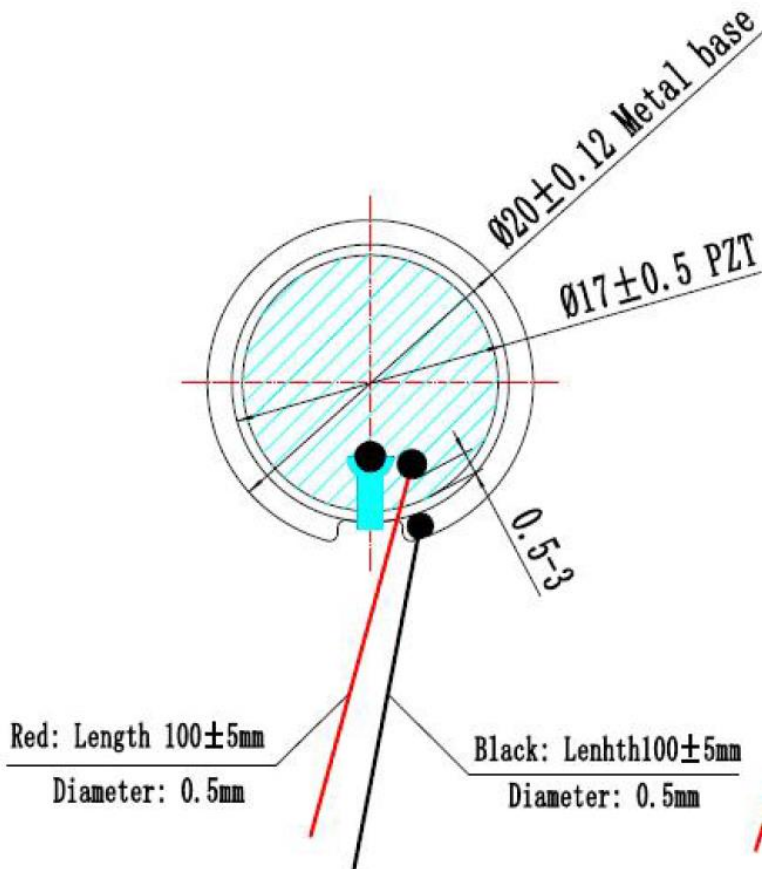
Specifications

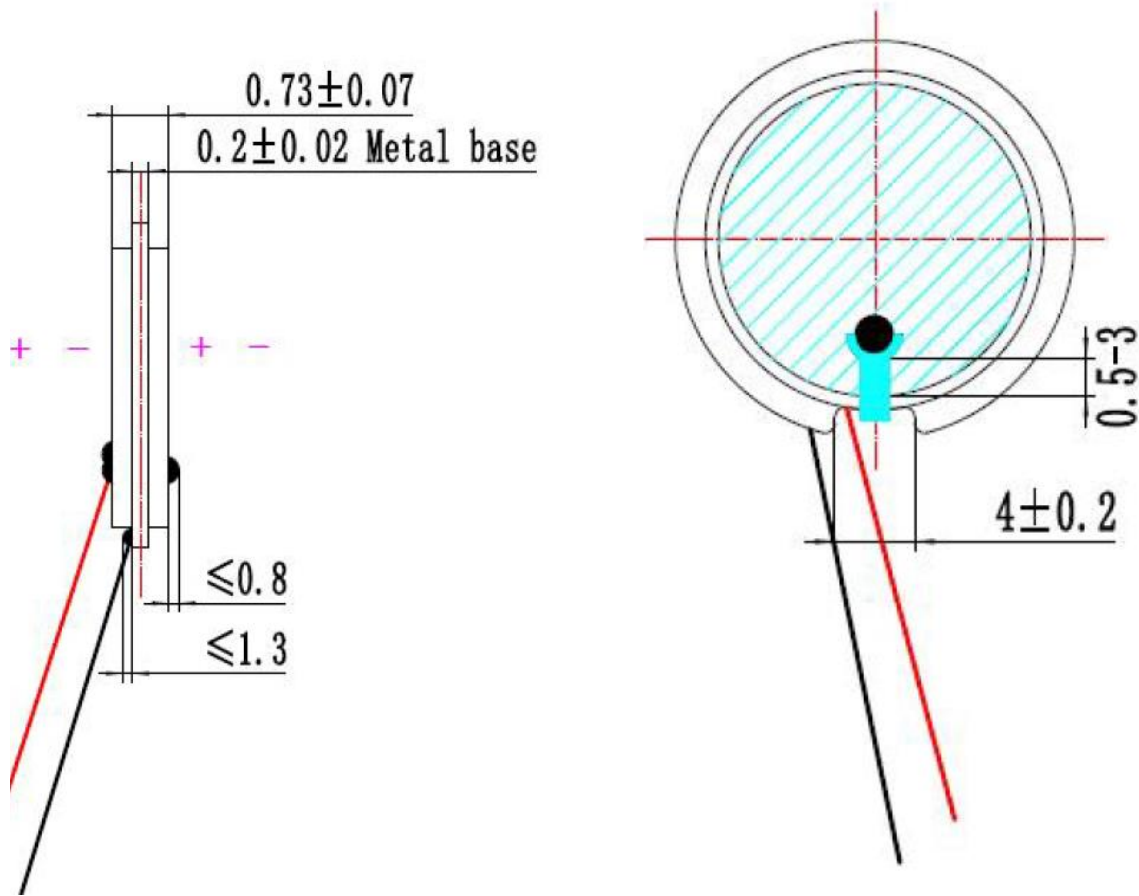
Parameters	Values	Units
Maximum Input Voltage	≤ 190	V _{pp}
Working Voltage Range	≤ 180	V _{pp}
Nominal Displacement	40	μM (@1Hz, $\pm 90\text{VDC}$)
Capacitance	$60,000 \pm 12$	pF (at 1V, 100Hz)
Resonant Frequency	$11,000 \pm 500$	Hz
Storage Temperature	-20 ~ +75	°C
Operating Temperature	-10 ~ +70	°C
Environmental Compliances	RoHS/REACH	Exempt 7c-1
Soldering Methods	Lead-free silver tin solder, $\leq 280^\circ\text{C}$	

Drive Voltage



Dimensions (PZT Ceramic (+), Metal Substrate (-))





Packaging

Plastic tray box, 240 pcs/box

Specifications Revisions

Revision	Description	Date	Approved
A	RELEASED FROM ENGINEERING	8/1/2023	
B	Revised Voltage, Drive Voltage and Added Resonant Frequency	3/7/2025	JD

Note:

1. Unless otherwise specified:
 - A. All dimensions are in millimeters.
 - B. Default tolerances are ± 0.5 mm and angles are $\pm 3^\circ$.
2. Specifications subject to change or withdrawal without notice.