



PUIaudio



Data Sheet

SMI-1027-TW-3V-R

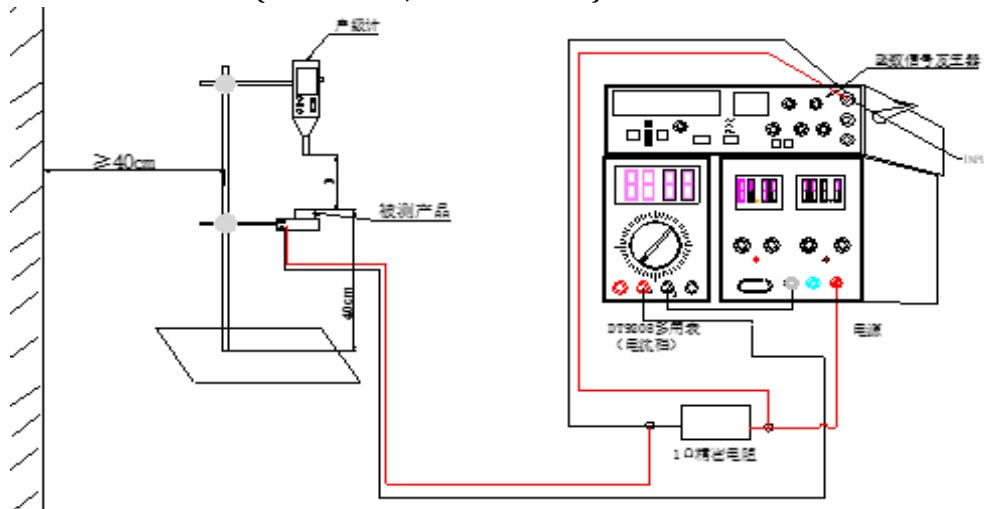
Features:

- 3Vdc, 2700Hz magnetic indicator
- Reflowable
- Wash not allowed

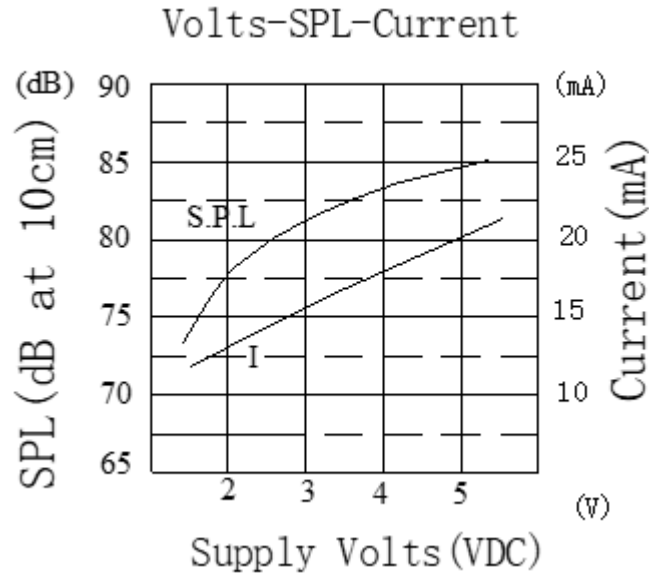
Specifications

Parameters	Values	Units
Rated Voltage	3	VDC
Operating Voltage Range	2 ~ 5	VDC
Current Draw at Rated Voltage	≤30	mA
Minimum SPL @ 10cm	≥80	dBA
Resonant Frequency	2700 ± 300	Hz
Tone or Pulse Rate	Continuous	-
Housing Material	LCP	-
Terminal Material	Sn plated Cu	-
Weight	1.5	Grams
Acceptable Soldering Methods	Hand Solder, Reflow Solder	See following pages for information
Moisture Sensitivity Level (MSL)	Level 2	-
Environmental Compliances	RoHS/REACH	-
Storage Temperature	-40 ~ +85	°C
Operating Temperature	-40 ~ +85	°C

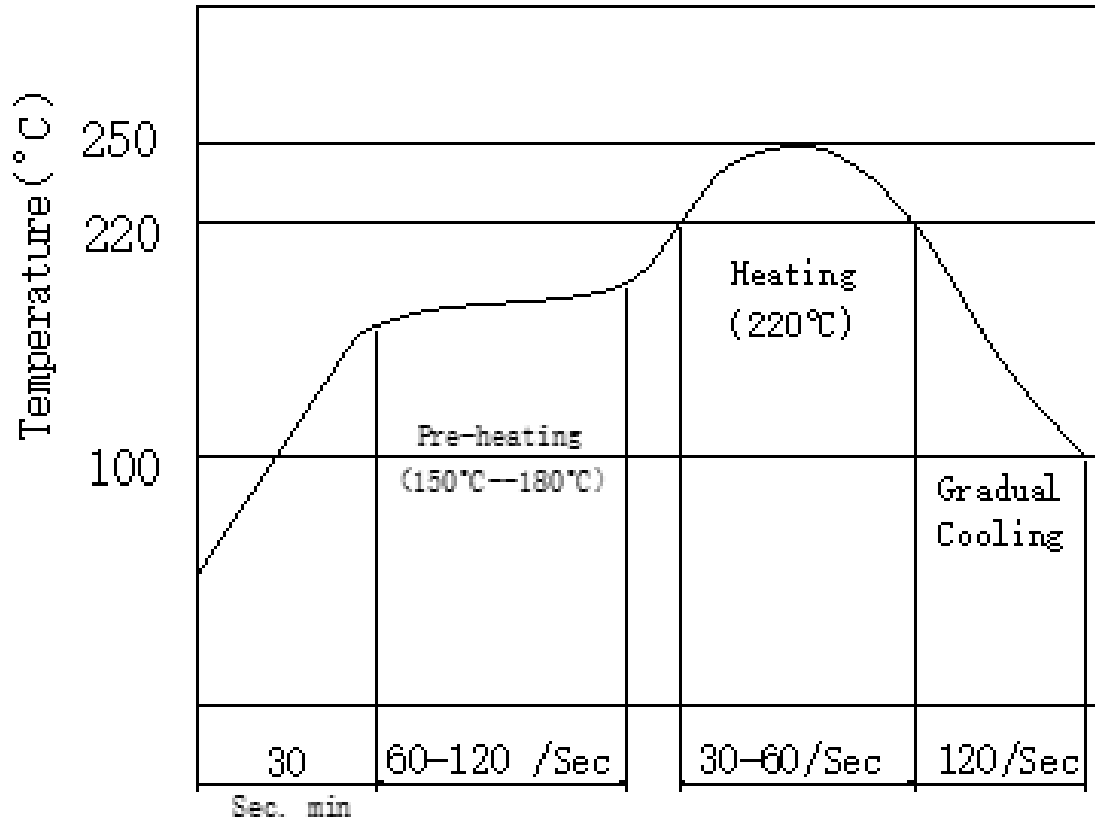
Measurement Method (Power=3Vdc, Distance=10cm)



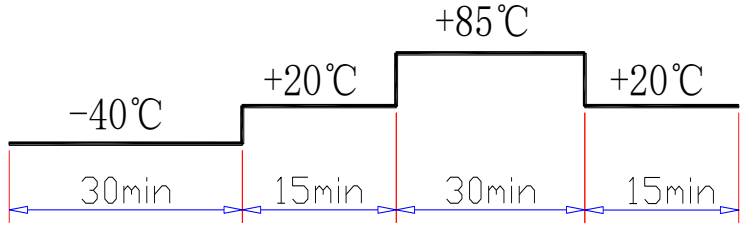
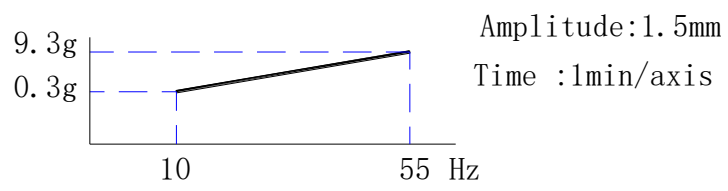
Typical SPL/Current vs Input Voltage



Recommended Reflow Soldering Procedure

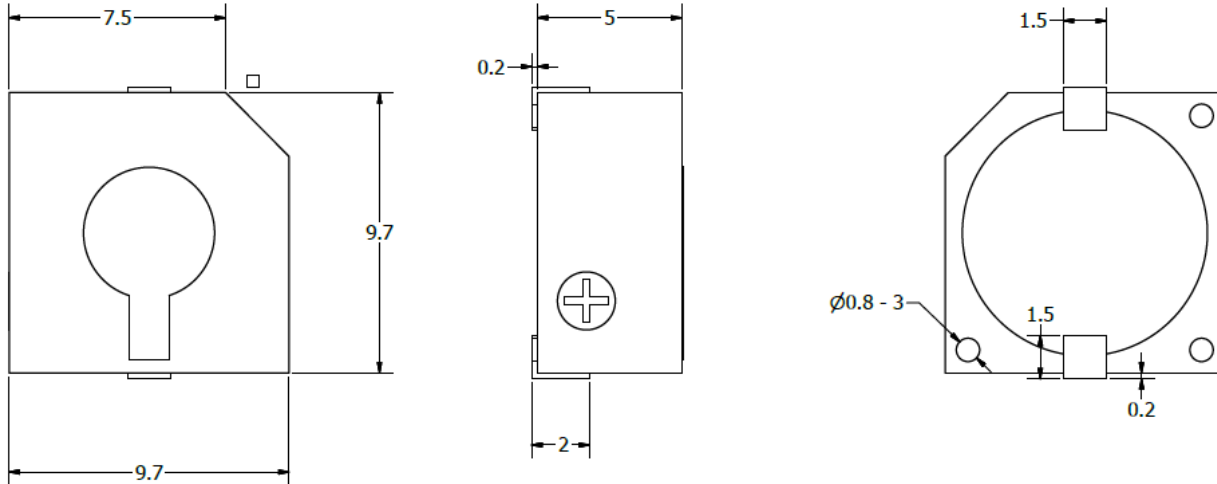


Reliability Testing

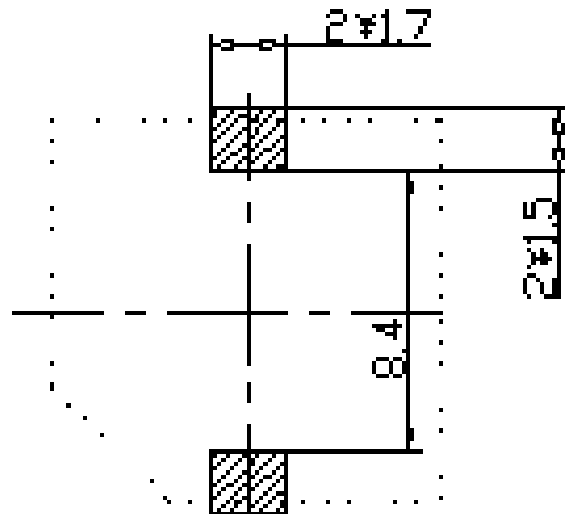
Type of Test	Test Specifications
Storage High Temperature Test	Storage in $+85^{\circ}\text{C}\pm 2^{\circ}\text{C}$ test box for 96 hours, then expose to the room temperature for 2 hours without applying power.
Storage Low Temperature Test	Storage in $-40^{\circ}\text{C}\pm 2^{\circ}\text{C}$ test box for 96 hours, then expose to the room temperature for 2 hours without applying power.
Humidity Test	Storage in $+40^{\circ}\text{C}\pm 2^{\circ}\text{C}$ 90-95%RH test box for 96 hours, then expose to the room temperature for 2 hours without applying power.
Temperature Cycle Testing	 <p>Make this test for 5 cycles without applying power, then expose to the room temperature for 2 hours.</p>
Vibration Test	 <p>Make this test for the directions of X,Y, Z for 2 hours each (total 6 hours).</p>
Drop Test	Free drop a unit from the height 100cm to the surface of 10mm thick board, three directions(X,Y,Z).
Solderability Test	Soldering temp.: $260 \pm 5^{\circ}\text{C}$ Heat applying time: $3 \pm 0.5\text{sec}$.

After these test, the SPL shall be $\pm 5\text{dB}$ of the initial value.

Dimensions



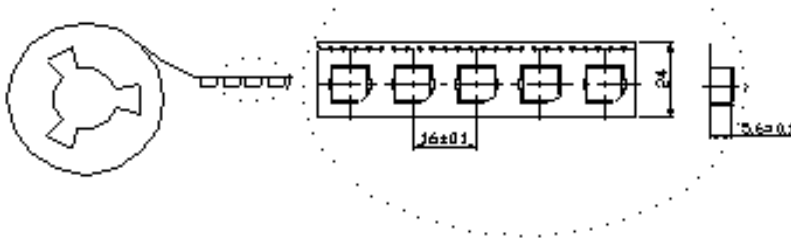
Suggested Land Pattern*



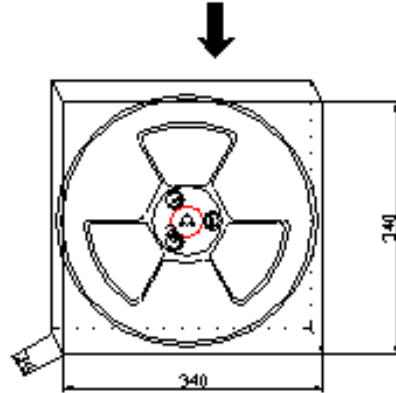
SMD REFLOW PATTERN

*This land pattern is advisory only and its use or adaptation is entirely voluntary. PUI Audio disclaims all liability of any kind associated with the use, application, or adaptation of this land pattern.

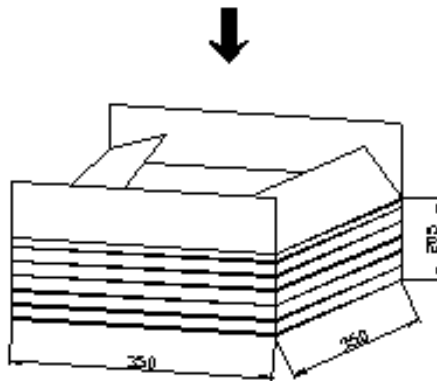
Packaging



750PCS/CARRUER REEK;



1ROLL CARRIER REEL/INNER BOX; 1卷套防静电袋抽真空放入一内盒



3750PCS/CTN 每箱放3750只(5只内盒)

Specifications Revisions

Revision	Description	Date	Approved
-	Released from Engineering	03/31/2017	-
A	Added terminal plating information	03/02/2020	MV
B	Revised drawing of washtab	06/12/2020	MV
C	Updated operating temperature	06/29/2022	JD
D	Update Company Information Footer, Add MSL	08/08/2024	ML

Note:

- Unless otherwise specified:
 - All dimensions are in millimeters.
 - Default tolerances are $\pm 0.5\text{mm}$ and angles are $\pm 3^\circ$.
- Specifications subject to change or withdrawal without notice.