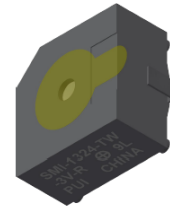




PUI audio



Data Sheet

SMI-1324-TW-3V-R

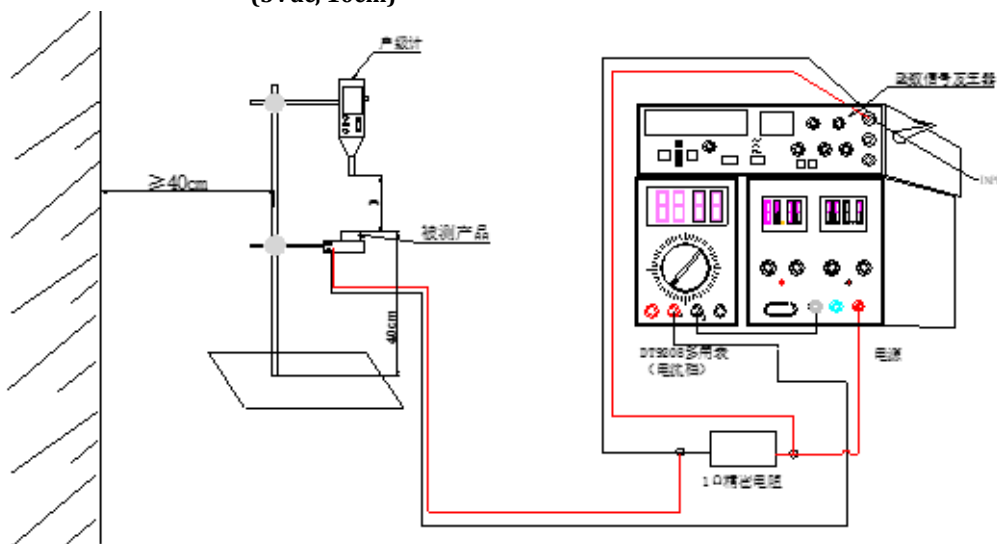
Features:

- 3Vdc Electro-Mechanical SMD Indicator
- 2400Hz Resonant Frequency
- Reflow and Wash Allowed

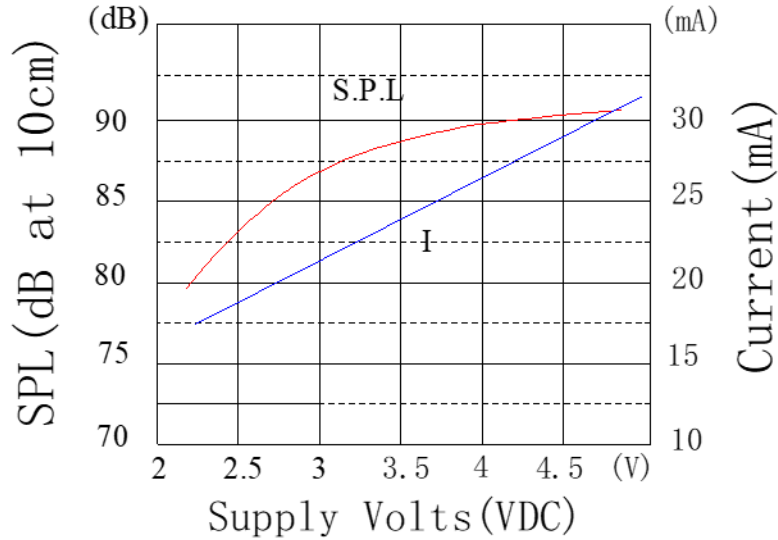
Specifications

Parameters	Values	Units
Rated Voltage	3	VDC
Operating Voltage Range	2-5	VDC
Current Draw at Rated Voltage	30	mA
Minimum SPL @ 10cm	75	dB(A)
Resonant Frequency	2400 ± 400	Hz
Tone or Pulse Rate	Continuous Tone	-
Housing Material	PPS	-
Terminal Material	Sn plated Brass	-
Weight	2	Grams
Acceptable Soldering Methods	Hand Solder, Reflow Solder	See following pages
Environmental Compliances	ROHS/REACH	-
Moisture Sensitivity Level(MSL)	Level 2	-
Storage Temperature	-40 to 85	°C
Operating Temperature	-40 to 85	°C

Measurement Method (3Vdc, 10cm)



Typical Voltage vs SPL Curve

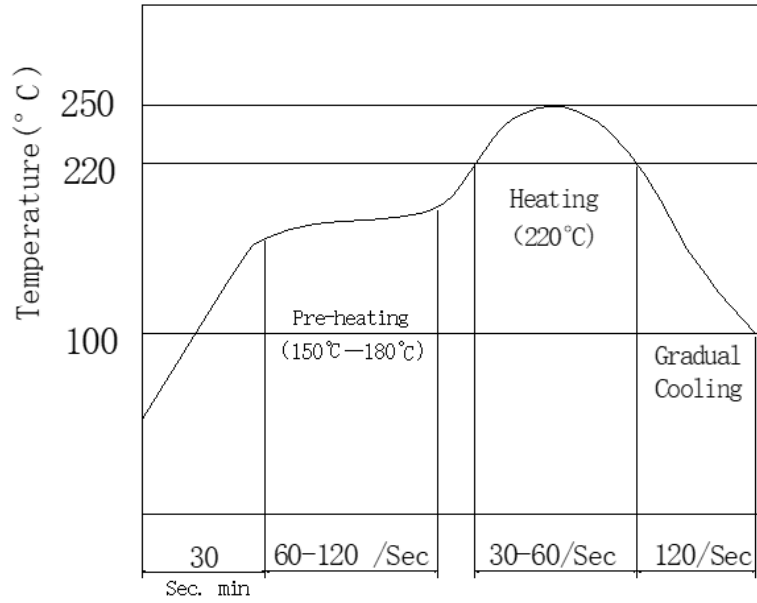


Reliability Testing

Type of Test	Test Specifications
Storage High Temperature Test	Storage in $+85^{\circ}\text{C} \pm 2^{\circ}\text{C}$ test box for 96 hours, then expose to the room temperature for 2 hours without applying power.
Storage Low Temperature Test	Storage in $-40^{\circ}\text{C} \pm 2^{\circ}\text{C}$ test box for 96 hours, then expose to the room temperature for 2 hours without applying power.
Humidity Test	Storage in $+40^{\circ}\text{C} \pm 2^{\circ}\text{C}$ 90-95%RH test box for 96 hours, then expose to the room temperature for 2 hours without applying power.
Temperature Cycle Testing	<p>Make this test for 5 cycles without applying power, then expose to the room temperature for 2 hours.</p>
Vibration Test	<p>Amplitude: 1.5mm Time : 1min/axis</p> <p>Make this test for the directions of X,Y, Z for 2 hours each (total 6 hours).</p>
Drop Test	Free drop a unit from the height 100cm to the surface of 10mm thick board, three directions (X,Y,Z).
Solderability Test	Soldering temp.: $260 \pm 5^{\circ}\text{C}$ Heat applying time: $3 \pm 0.5\text{sec}$.

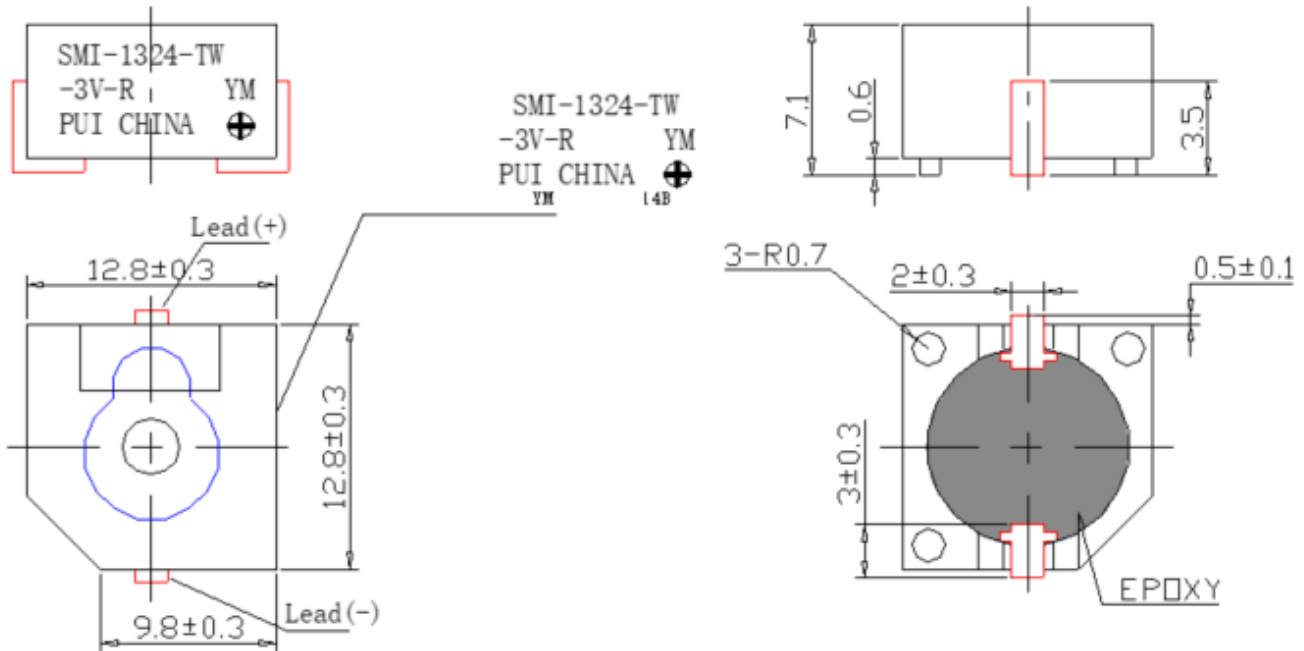
After tests, SPL shall be within $\pm 5\text{dB}$

Recommended Reflow Profile

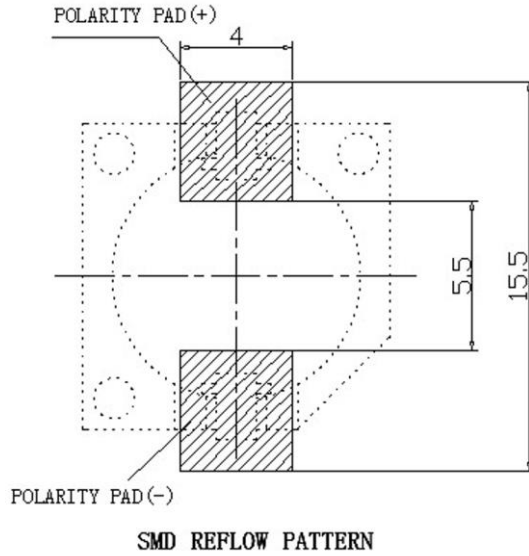


***Manual Soldering - Iron temp 350C, Solder Time 3 second or less.**

Dimensions

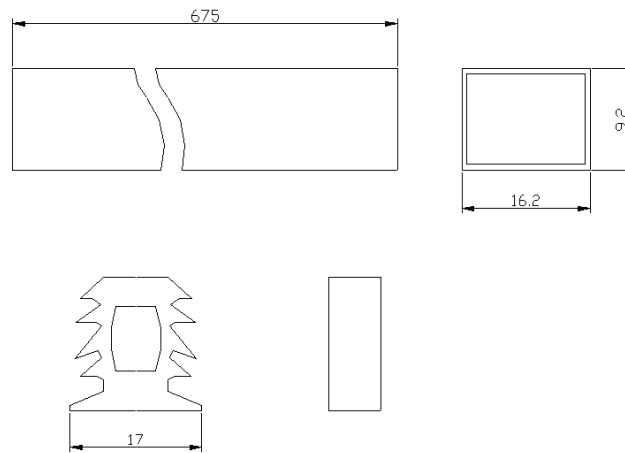


Recommended Land Pattern

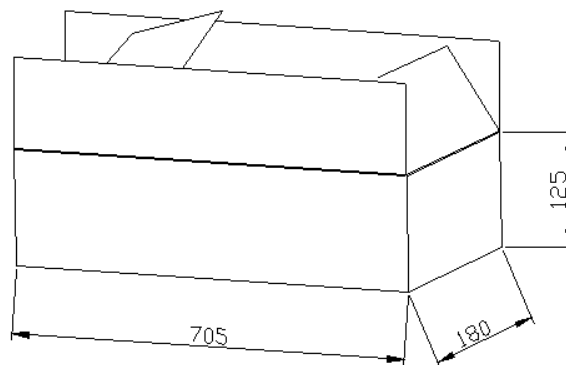


Packaging

50pcs per stick tube



5k pcs master carton



Specifications Revisions

Revision	Description	Date	Approved
-	Released from Engineering	10/18/2006	-
A	Revised to show positive + marking	10/26/2006	RW
B	Revised to 3D Template	06/01/2010	BR
C	Revised Storage Temperature	02/27/2020	MV
D	Update Spec Format, Add Details for Reliability, Packaging, etc., Revised Temperature Ranges	08/06/2024	ML

Note:

1. Unless otherwise specified:
 - A. All dimensions are in millimeters.
 - B. Default tolerances are $\pm 0.5\text{mm}$ and angles are $\pm 3^\circ$.
2. Specifications subject to change or withdrawal without notice.