



# PUIaudio

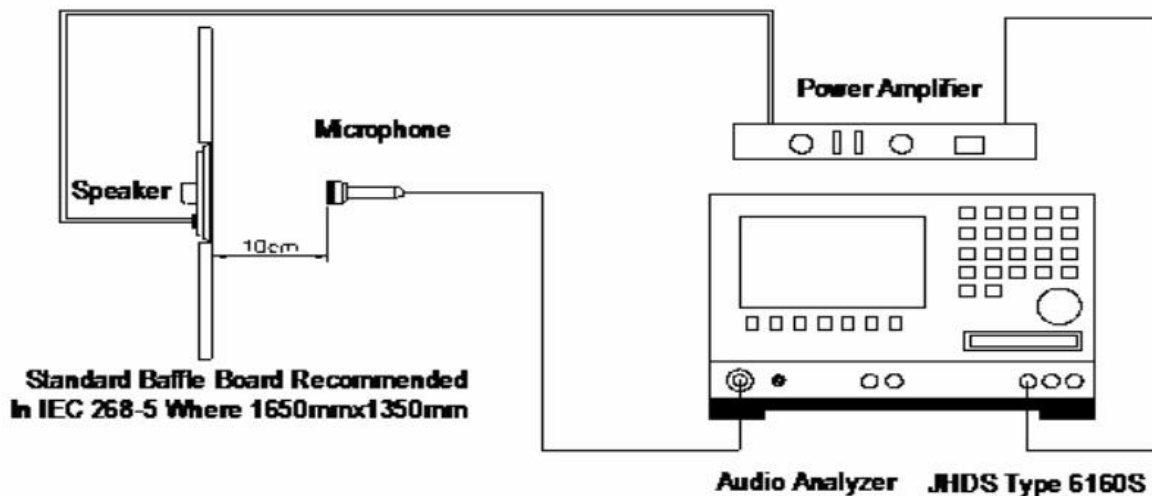


Data Sheet	SMS-1308MS-2-R
------------	----------------

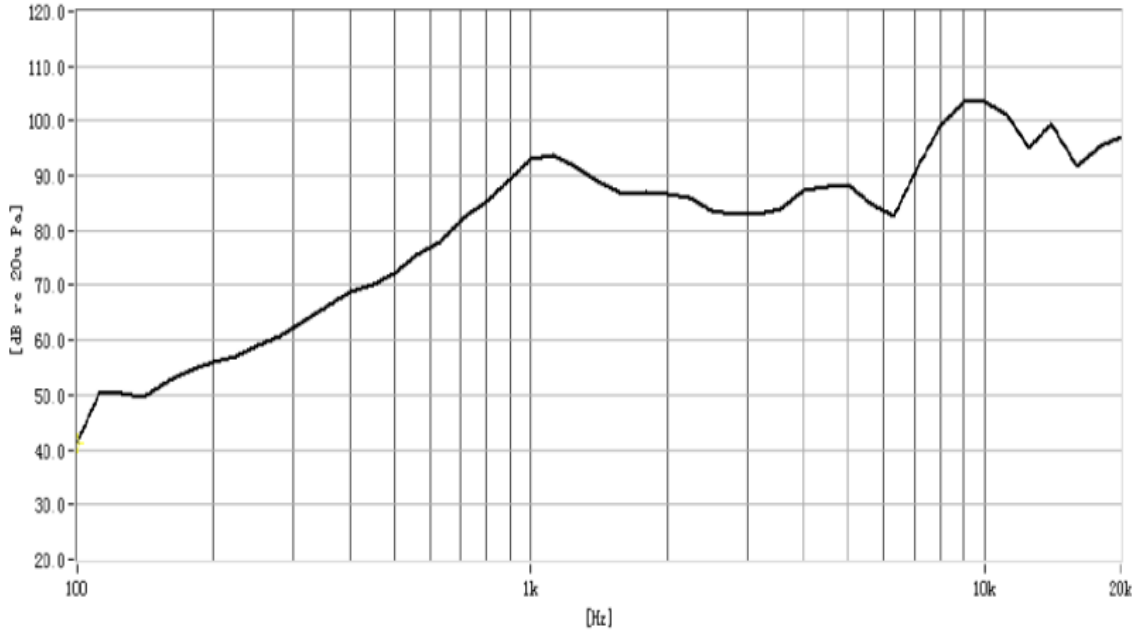
## Specifications

Parameters	Values	Units
Rated Input Power	0.7	Watts
Max Input Power	1	Watts
Impedance	$8 \pm 15\%$	Ohms
Output SPL (AVG. 1.0, 1.6, 2.0, 3.2kHz at 0.7W/0.1m)	$88 \pm 3$	dB
Resonant Frequency	$1100 \pm 20\%$	Hz
Frequency Range	Fo - 20,000	Hz
Distortion (Max.)	5%	-
Frame Material	LCP	-
Magnet Material	SMCO	-
Diaphragm Material	Mylar (PI)	-
Weight	1.1	Grams
Acceptable Soldering Methods	Hand Solder, Reflow Solder	See Following Pages
Environmental Compliances	ROHS/REACH	-
Storage Temperature	-40 to 85	°C
Operating Temperature	-30 to 85	°C

## Measurement Method (Temperature: 15 ~ 35°C, Humidity: 45 ~ 75%)



## Typical Frequency Response (0.7W/0.1m)

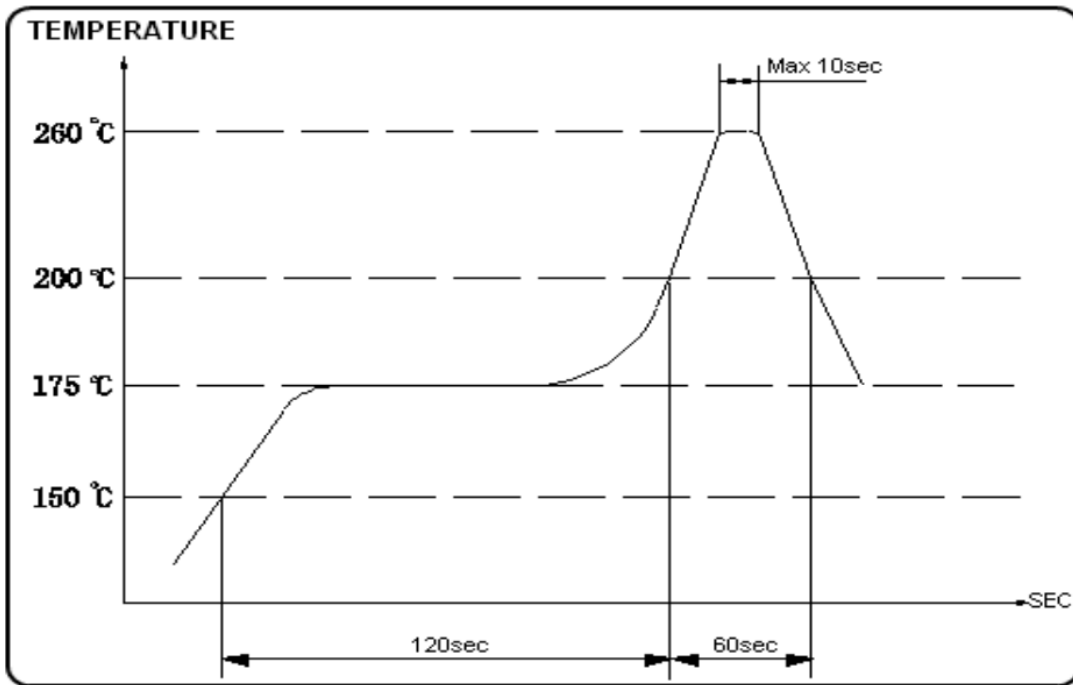


## Reliability Testing

Type of Test	Test Specifications
High Temperature Test	96 hours at 85±3°C, then 3 hours in room temperature.
Low Temperature Test	96 hours at -40±3°C, then 3 hours in room temperature.
Humidity Test	96 hours at 40±3°C with relative humidity at 90±5%, then 3 hours in room temperature.
Temperature Cycle Testing	<p>5 cycles of test above</p>
Vibration Test	10 – 55 -10Hz sin-wave sweep, in 3 directions (x, y, z) for 2 hours each.
Drop Test	From a height of 1cm, drop the speaker onto concrete floor, 6 times.
Load Test	Rated Power White noise is applied for 96 hours.

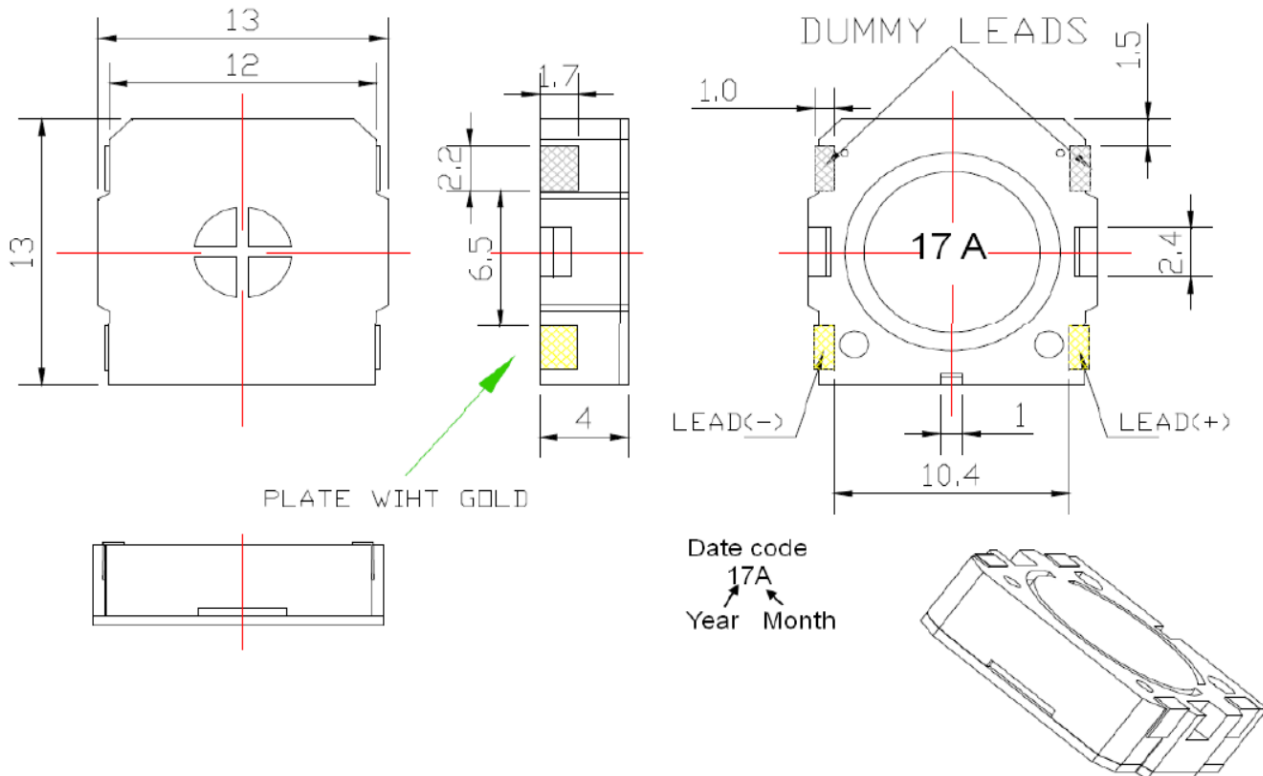
After these tests, SPL variation should be within ±3dB.

## Reflow Soldering Profile

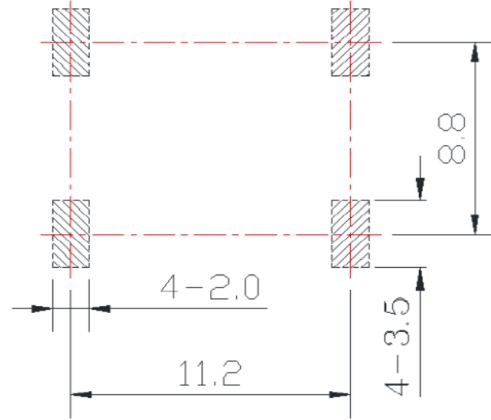


\* Hand Soldering temperature 350°C within 5 sec.

## Dimensions

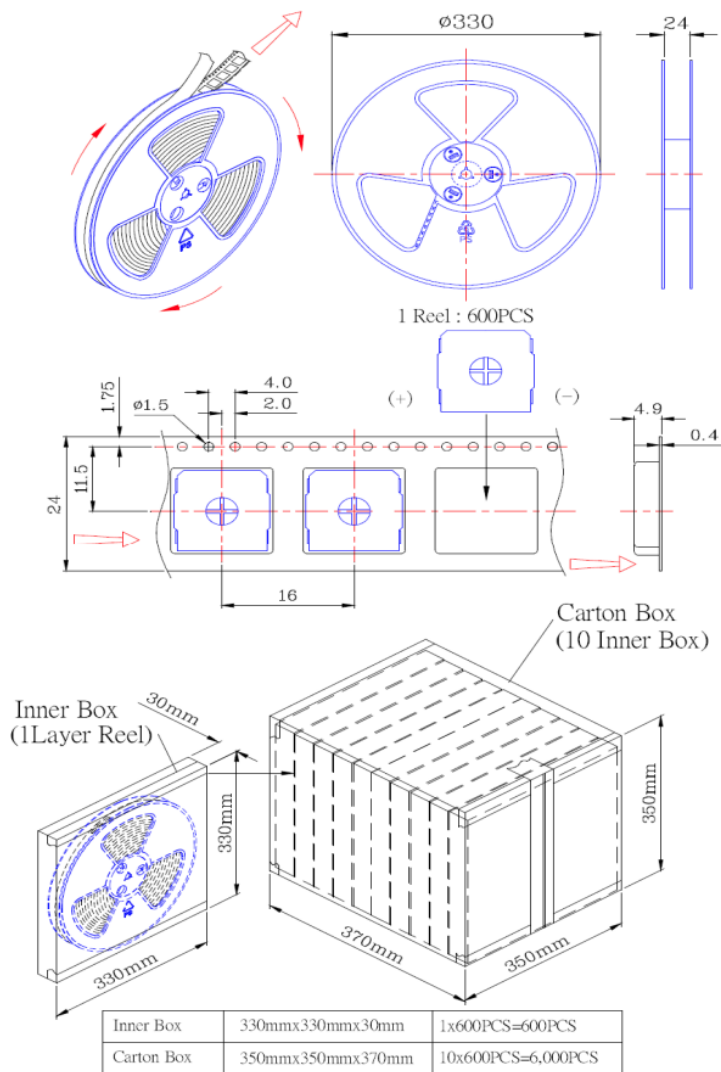


## Suggested Land Pattern\* (for surface mount parts)



\*This land pattern is advisory only and its use or adaptation is entirely voluntary.  
 PUI Audio disclaims all liability of any kind associated with the use, application, or adaptation of this land pattern.

## Packaging



### Specification Revisions

Revision	Description	Date	Approved
-	Released from Engineering	08/09/2011	
A	Revised frequency range	04/27/2012	BR
B	Revised Resonant Frequency	06/15/2017	ML
C	Revised low operating temperature from -30C to -40C	04/03/2019	MV
D	Updated Spec Format, Add Details for Packaging, Reliability, etc.,	10/23/2024	ML

Note:

1. Unless otherwise specified:
  - A. All dimensions are in millimeters.
  - B. Default tolerances are  $\pm 0.5\text{mm}$  and angles are  $\pm 3^\circ$ .
2. Specifications subject to change or withdrawal without notice.