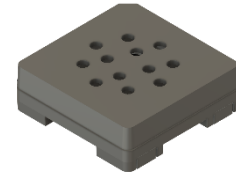




PUI audio



Data Sheet

SMS-1804MS-HT

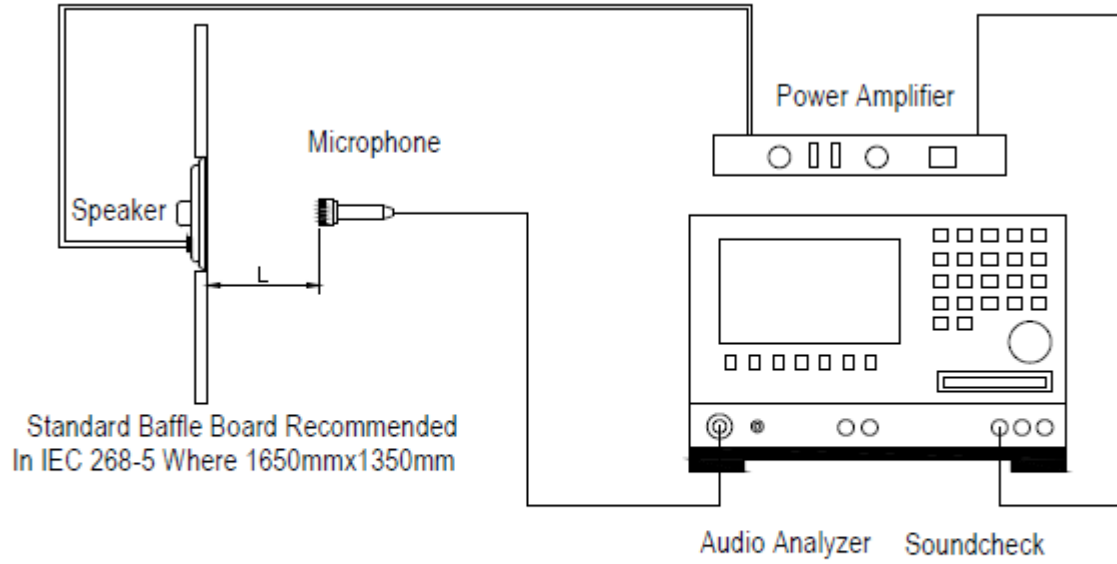
Features:

- Slim 5.9mm height for a low-profile package
- -40°C to 105°C operating temperature range for a wide range of applications

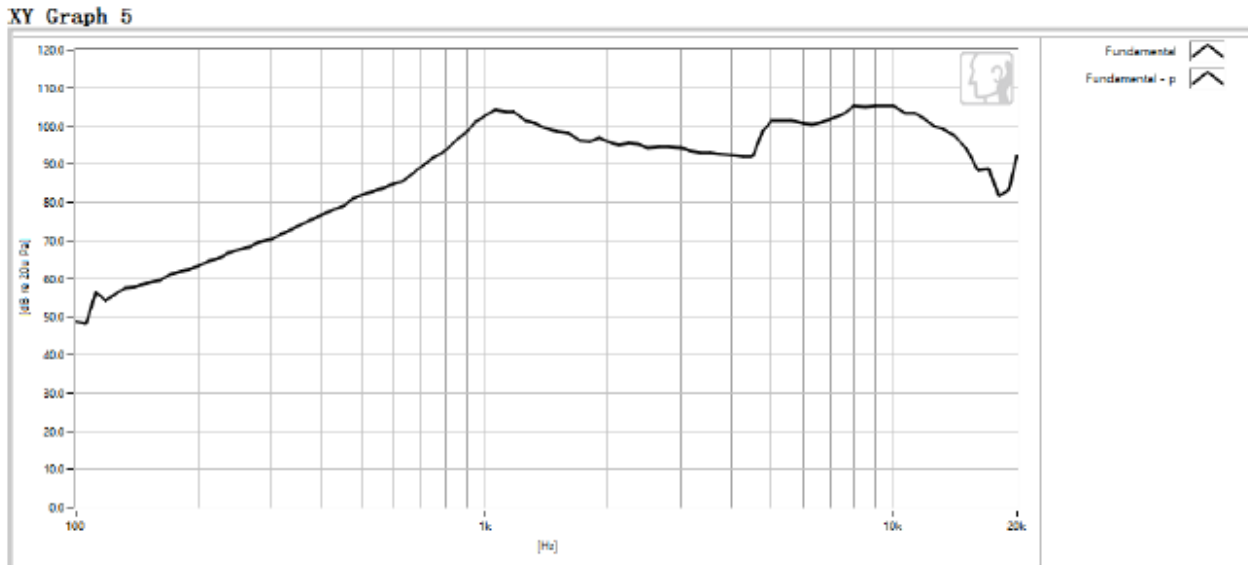
Specifications

Parameters	Values	Units
Rated Input Power	1.5	Watts
Max Input Power	2.0	Watts
Impedance	4 ± 15%	Ohms
Output SPL (AVG at 1.0k, 1.6k, 2.0k, 3.2kHz in 1.0W/0.1M average)	96 ± 3	dB
Resonant Frequency	1100 ± 20%	Hz
Frequency Range	1100 ~ 20,000	Hz
THD @ 2kHz, 1.0W	<10%	
Frame Material	LCP	-
Magnet Material	SMCO	-
Diaphragm Material	PI	-
Weight	5.6	Grams
Ingress Protection Rating	IP67	-
Acceptable Soldering Methods	Hand Solder, Reflow Solder	See page 3 for soldering information
Buzz, Rattle, etc.	must be normal at sine wave between 950 ~ 5K Hz	-
Environmental Compliances	ROHS/REACH	-
Polarity	cone will move forward with positive dc current to "+" terminal	-
Storage Temperature	-40 ~ 105	°C
Operating Temperature	-40 ~ 105	°C

Measurement Method (1W/0.1M)

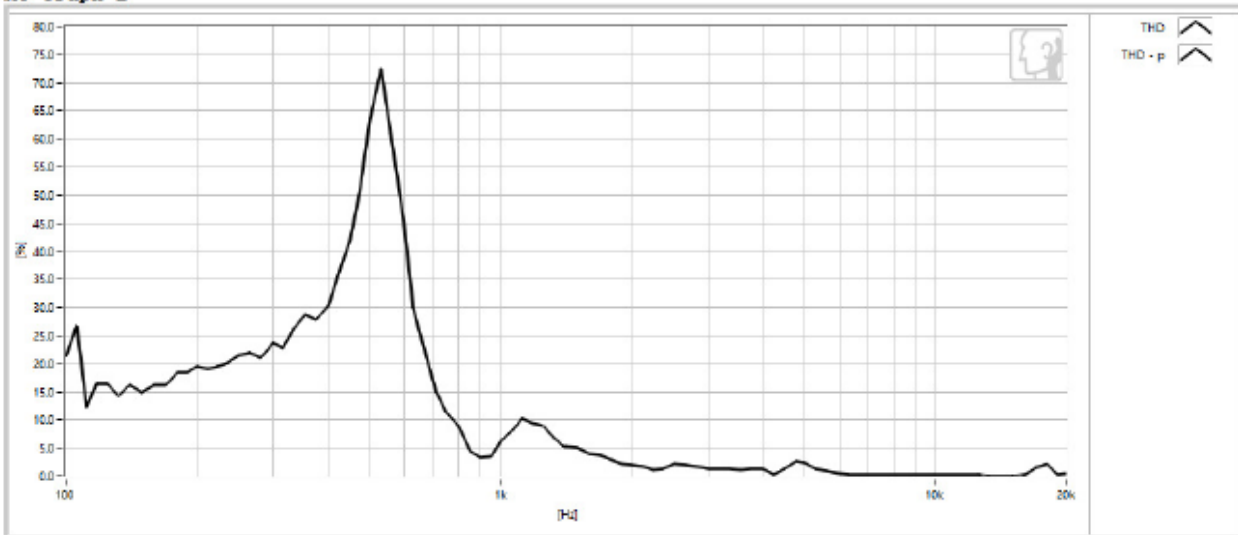


Typical Frequency Response (1.5W/0.1M)



Total Harmonic Distortion (1.5W/0.1M)

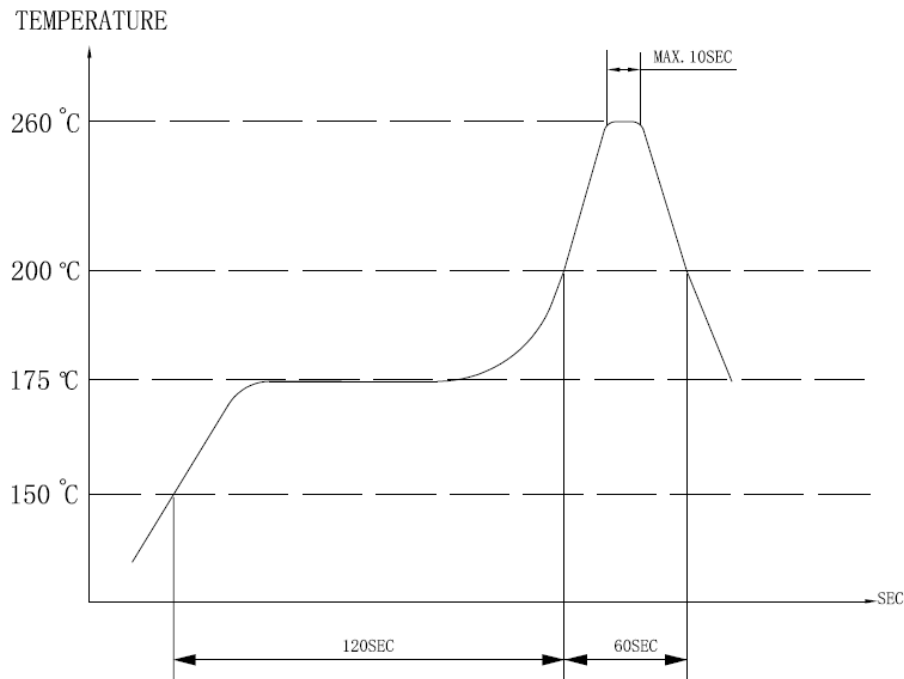
XY Graph 2



Recommended Soldering Procedure

(1) Recommended reflow soldering condition is as follows (Reflow soldering is twice)

Note: It is requested that reflow soldering should be executed after heat of product goes down to normal.

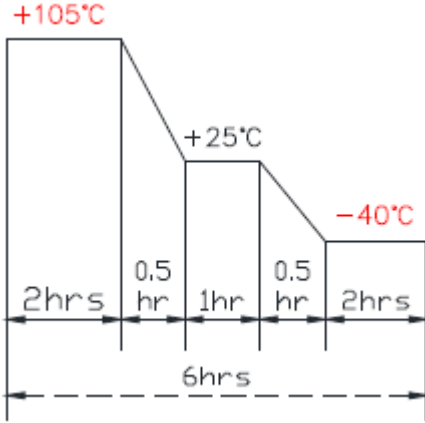


Heat resistant line (Used when heat resistant reliability test is performed)

(2) Manual soldering

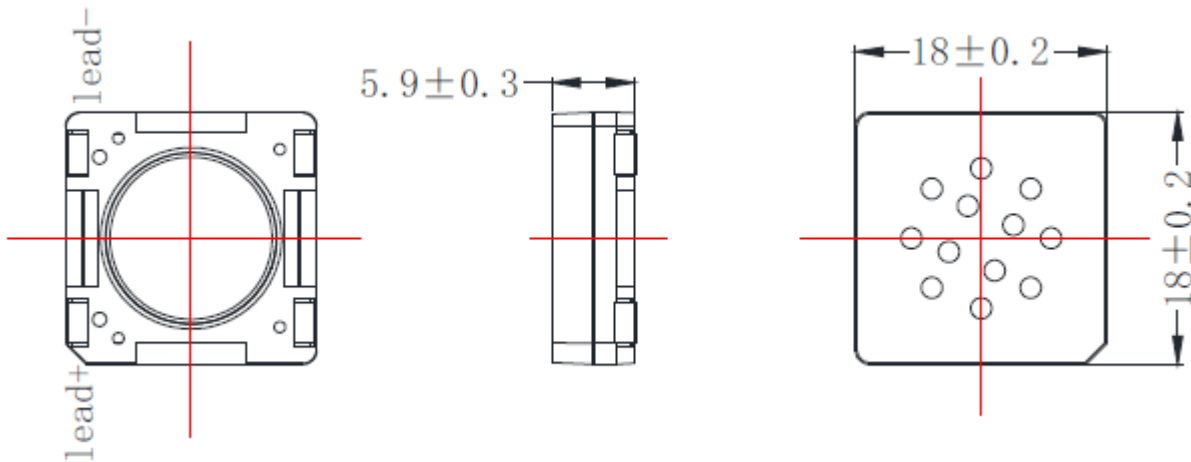
Manual soldering temperature 350°C within 5 seconds.

Reliability Testing

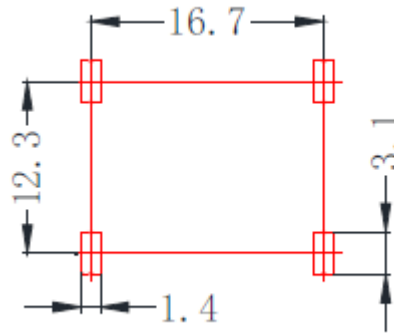
Type of Test	Test Specifications
High Temperature Test	96 hours at 105°C
Low Temperature Test	96 hours at -40°C
Humidity Test	48 hours at 40°C with relative humidity at 90%
Temperature Cycle Testing	Run for 4 cycles with each cycle consisting of: 
Vibration Test	Frequency 30 ± 15 Hz, Amplitude 1.5 mm for 3 Hours
Drop Test	75 CM free falling on Concrete floor, 10 times
Load Test	Must perform normal with program White-Noise source at Rated Power for 96 Hours

After any following test, parts should conform to original performance within ± 3 dB tested with Rated Power, after 6 hours of recovery period.

Dimensions



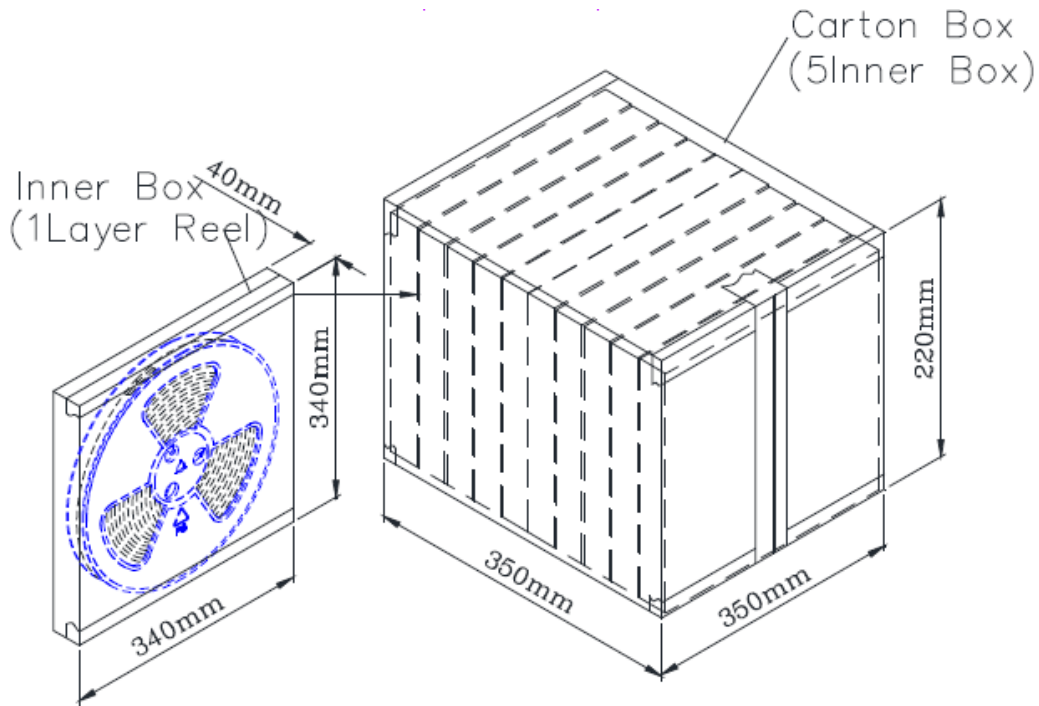
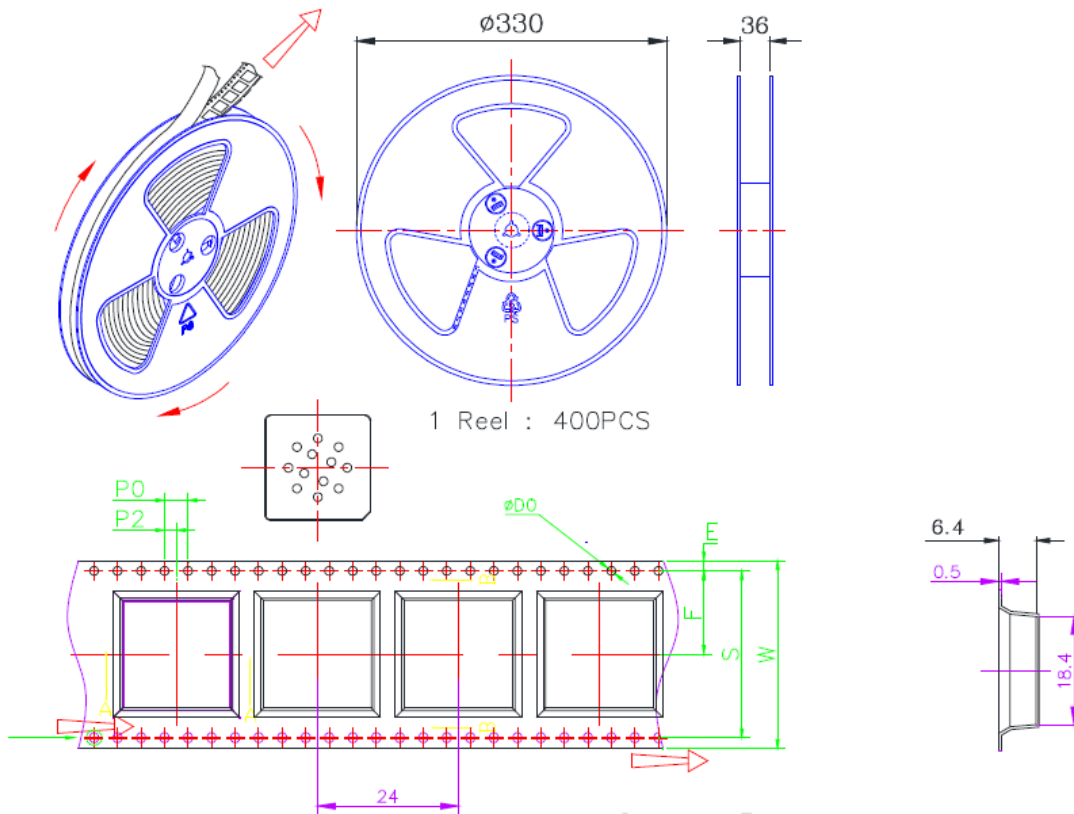
Suggested Land Pattern*



*This land pattern is advisory only and its use or adaptation is entirely voluntary.

PUI Audio disclaims all liability of any kind associated with the use, application, or adaptation of this land pattern.

Packaging



Inner Box	400 pieces
Outer Box	2000 pieces

Specifications Revisions

Revision	Description	Date	Approved
A	Released from Engineering	10/19/2023	-
B	Revised Rated Input Power, Max Input Power, Resonant Frequency, Frequency Response Graph, Total Harmonic Distortion Graph	05/31/2024	JD

Note:

1. Unless otherwise specified:
 - A. All dimensions are in millimeters.
 - B. Default tolerances are $\pm 0.5\text{mm}$ and angles are $\pm 3^\circ$.
2. Specifications subject to change or withdrawal without notice.