

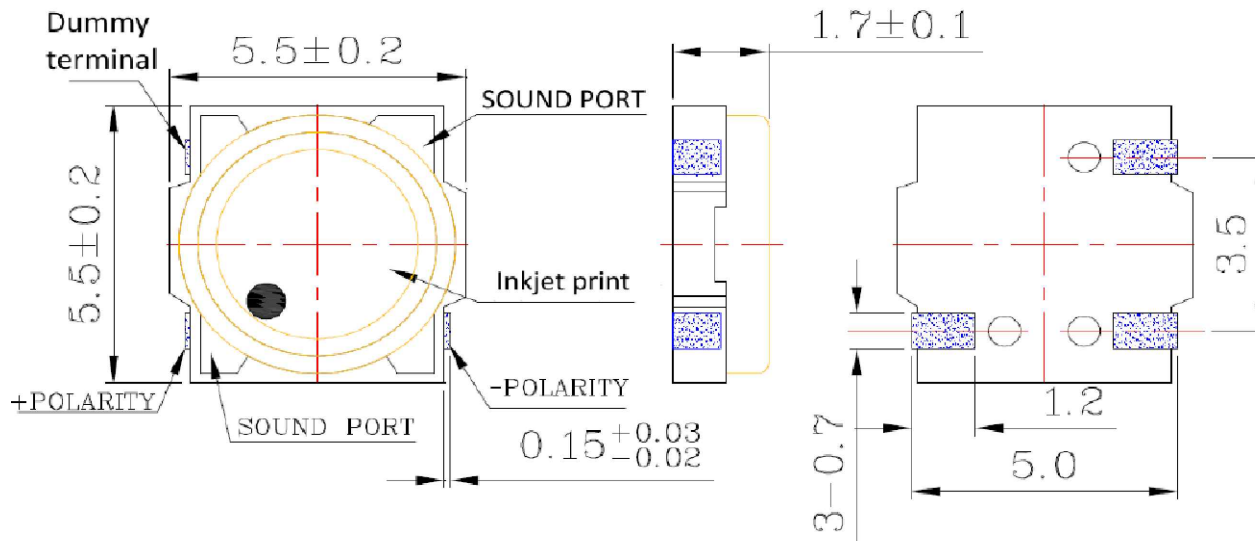
THIS DOCUMENT CONTAINS DATA PROPRIETARY TO PUI AUDIO, INC. ANY USE OR REPRODUCTION, IN ANY FORM, WITHOUT PRIOR WRITTEN PERMISSION OF PUI AUDIO, INC. IS PROHIBITED.  
© 2010, PUI AUDIO Inc.

## SPECIFICATIONS

PARAMETERS	VALUES	UNITS
RATED VOLTAGE (SQUARE WAVE)	3.6	Vo-p
OPERATING VOLTAGE RANGE	2 ~ 4	Vo-p
RATED CURRENT (MAX)	130	mA
COIL RESISTANCE	12±3	OHM
MINIMUM SPL @ 10 CM	75	dB
RESONANT FREQUENCY	4,000±500	Hz
OPERATING TEMPERATURE	-20 ~ +70	°C
STORAGE TEMPERATURE	-30 ~ +80	°C
HOUSING MATERIAL	LCP/Brass	-
TERMINAL MATERIAL	Sn plated Brass	-
WEIGHT	0.6	grams

## REVISIONS


LTR	DESCRIPTION	DATE	APPROVED
-	RELEASED FROM ENGINEERING	12/1/20	



### NOTES:

- ALL DIMENSIONS ARE IN MILLIMETERS.
- SPECIFICATION SUBJECT TO CHANGE OR WITHDRAWAL WITHOUT NOTICE.
- THIS PART IS RoHS 2011/65/EU COMPLIANT.

FILE NAME  
SMT-0640-T-R.DWG

UNLESS OTHERWISE SPECIFIED: ALL PURCHASES ARE SUBJECT TO THE PUI AUDIO TERMS AND CONDITIONS SALE FOUND AT <a href="http://www.puiaudio.com/pdf/terms_conditions.pdf">http://www.puiaudio.com/pdf/terms_conditions.pdf</a> (paper copy available upon request). DIMENSIONS ARE IN MILLIMETERS, TOLERANCES ARE ±0.5 AND ANGLES ARE ±3°.		 <p>3541 Stop Eight Road Dayton, Ohio 45414</p>
<p>APPROVALS</p> <p>DRAWN <i>M.L.</i> DATE <i>8/19</i></p> <p>CHECKED <i>M.L.</i> DATE <i>8/19</i></p> <p>APPROVED <i>B.R.</i> DATE <i>8/19</i></p>		
<p>TRANSDUCER (ELECTRO-MECH)</p> <p>SIZE <i>A</i></p> <p>DRAWING NO. <i>SMT-0640-T-R</i></p> <p>SCALE: N.T.S.</p>		<p>SHEET 1 OF 1</p>