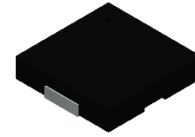




PUIaudio



Data Sheet	SMT-0952-T-5V-2-R
------------	-------------------

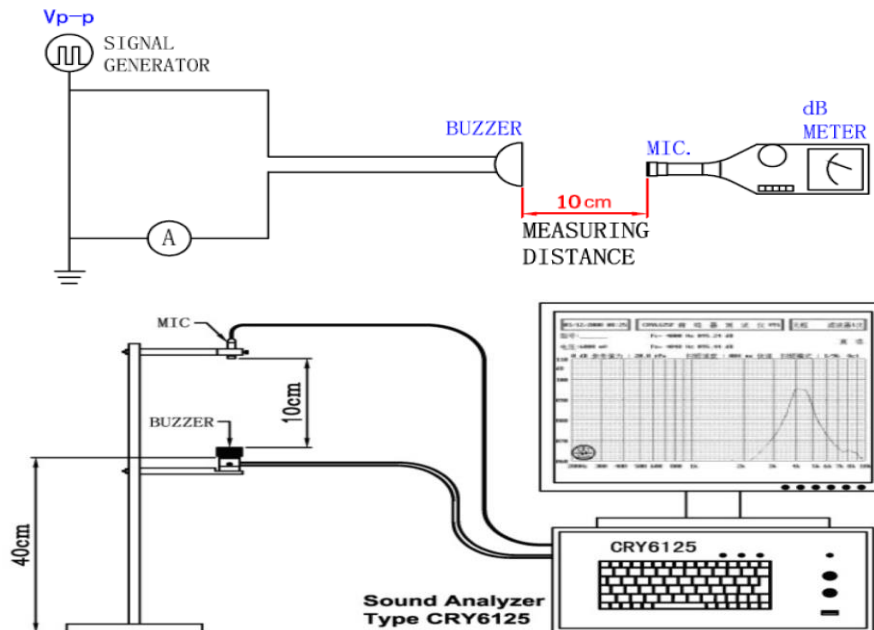
- SMD Piezo Transducer

Specifications

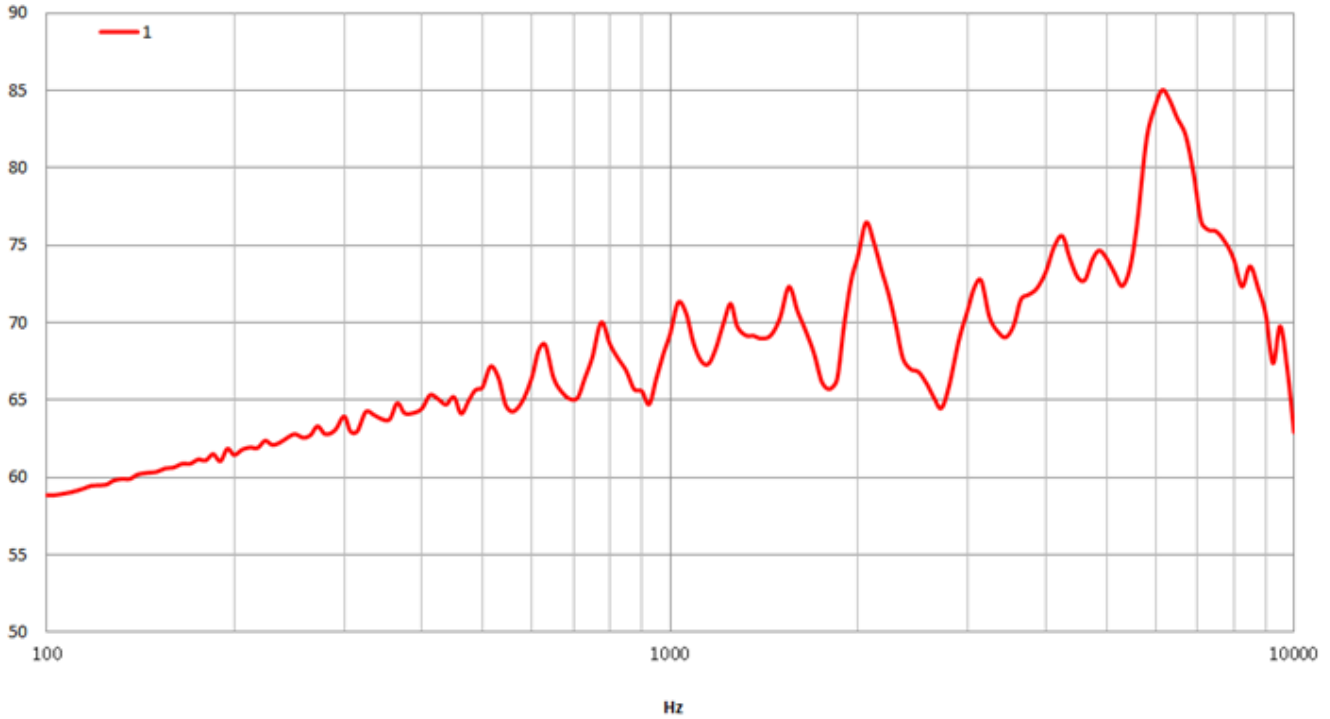
Parameters	Values	Units
Rated Voltage	5	Vp-p
Operating Voltage Range	1 ~ 30	Vp-p
Current Draw at Rated Voltage	3	mA
Capacitance @ 1kHz/1V	12,000 ± 30%	pF
Minimum SPL @ 10cm	70	dBA
Resonant Frequency	5,200 ± 500	Hz
Housing Material	LCP	-
Terminal Material	DSn	-
Moisture Sensitivity Level (MSL)	-	-
Weight	0.2	Grams
Acceptable Soldering Methods	Hand Solder/Reflow Solder	-
Environmental Compliances	RoHS/REACH	Ex. 7c-1
Storage Temperature	-40 ~ +85	°C
Operating Temperature	-40 ~ +85	°C

Measurement Method (Temperature: 25±2°C; Relative Humidity: 45-65%)

Standard Test Fixture (Distance: 10cm, 5Vp-p, 5200Hz square wave)



Typical Frequency Response

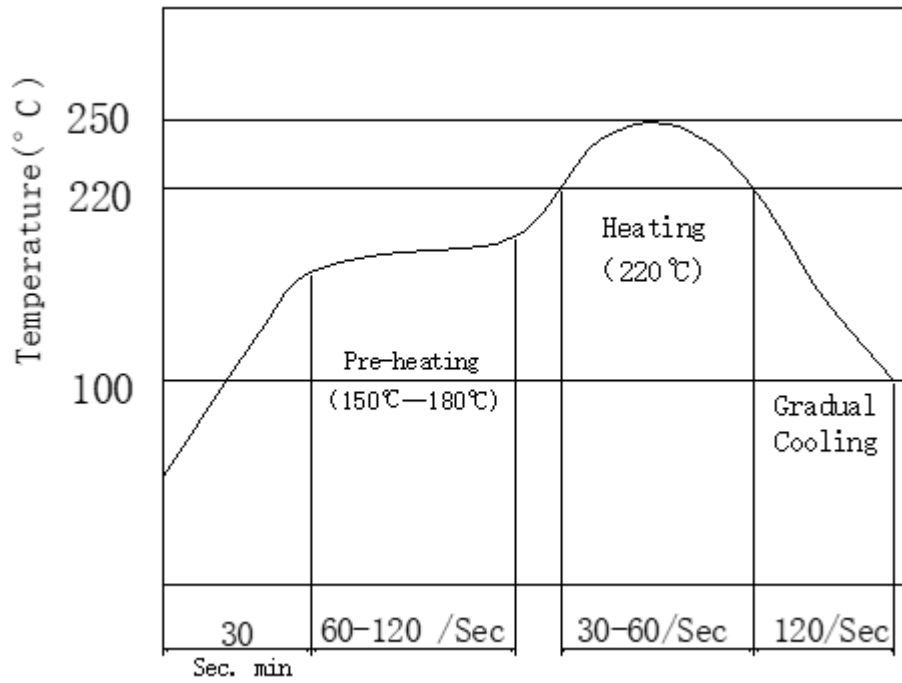


Reliability Testing

Type of Test	Test Specifications
High Temperature Test	96 hours at +85°C±2°C then rest at room temperature for 2 hours without applying power
Low Temperature Test	96 hours at -40°C±2°C then rest at room temperature for 2 hours without applying power
Humidity Test	96 hours at +40°C±2°C with relative humidity at 90-95% then rest at room temperature for 2 hours without applying power
Temperature Cycle Testing	<p>Test for 5 cycles without applying power, then expose to room temperature for 2 hours</p>
Vibration Test	<p>Apply from the chart in X,Y,Z direction for 2 hours each (total of 6 hours)</p>
Drop Test	Drop a piece from a height of 70cm to the surface of a 10mm thick board, in each X,Y,Z direction.

After these tests, the piece should test within ± 5dB of the original SPL

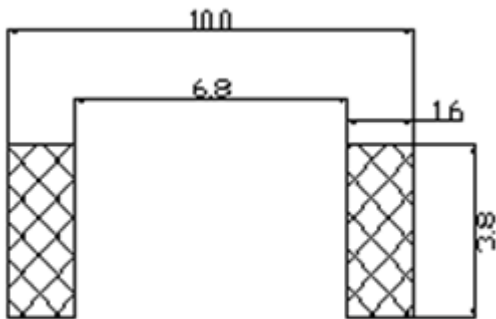
Reflow Profile



***Manual Solder Iron temperature 350°C and solder time 2-3 seconds per terminal.**

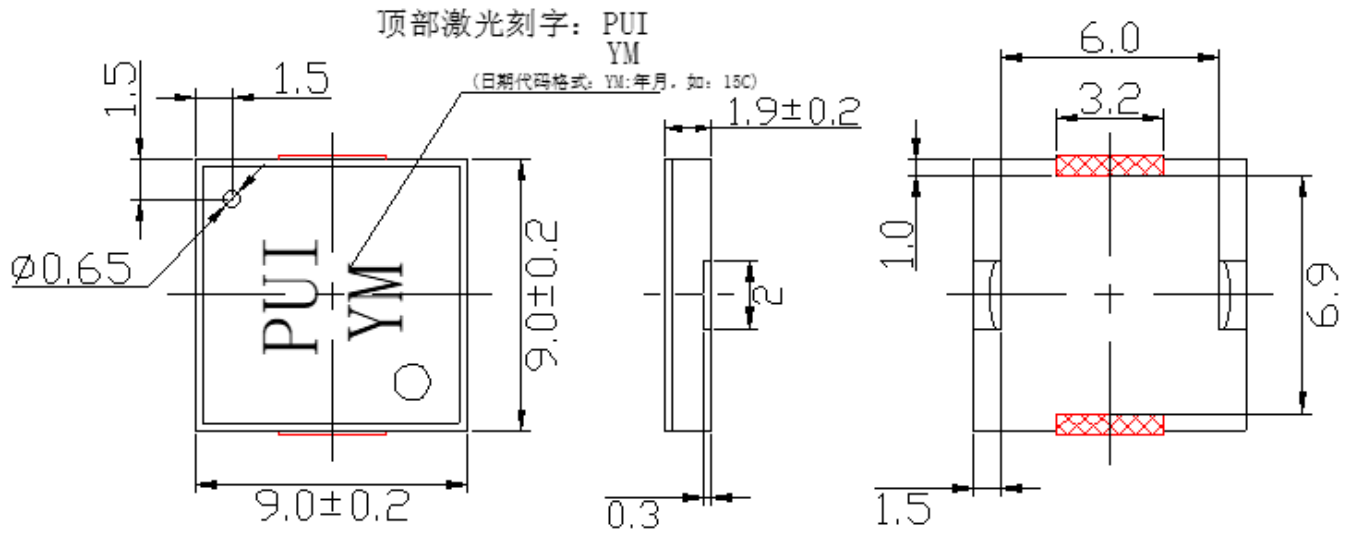
***Washing not allowed.**

Reflow Land Pattern

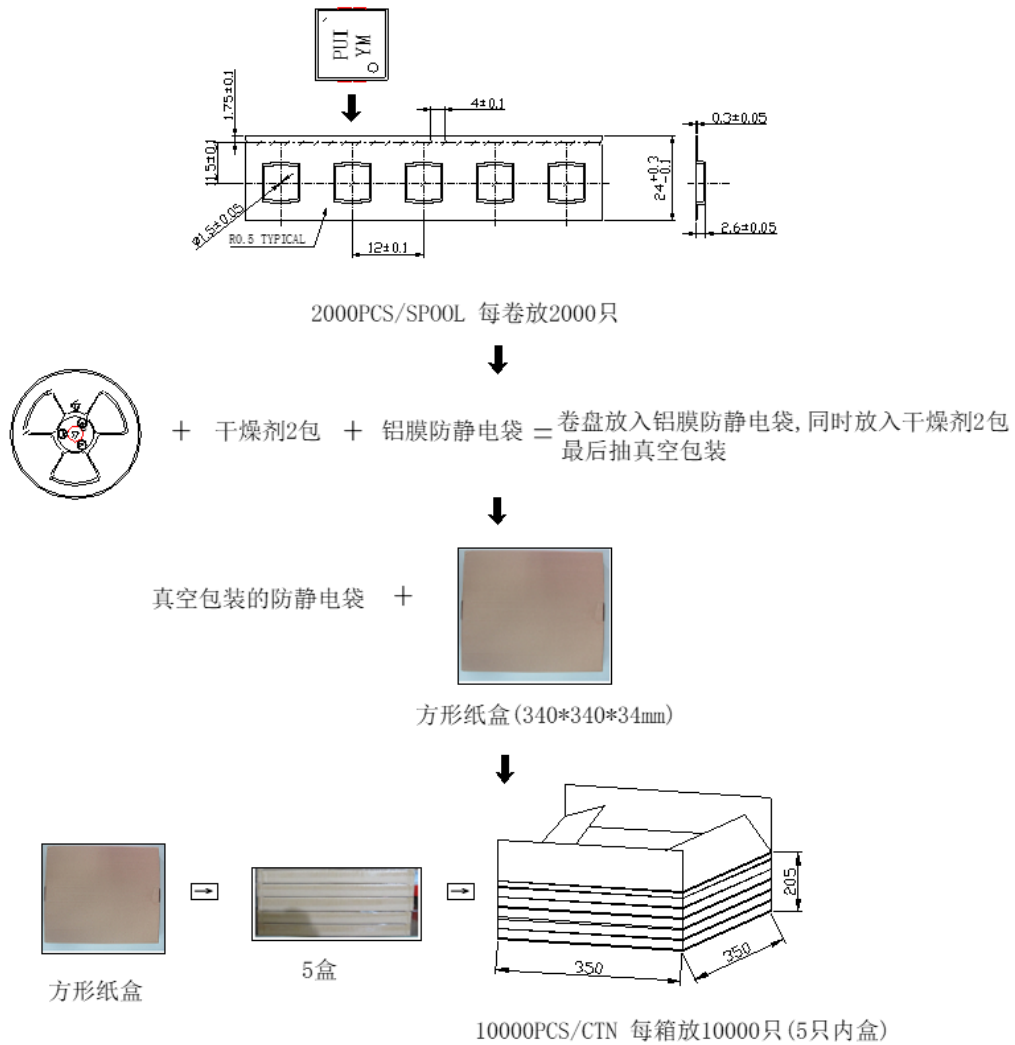


SMD REFLOW PATTERN

Dimensions (Tolerance $\pm 0.5\text{mm}$ unless specified)



Packaging



Specifications Revisions

Revision	Description	Date
-	RELEASED FROM ENGINEERING	02/10/2017
A	Revised Operating Temperature	07/06/2023

Note:

1. Unless otherwise specified:
 - A. All dimensions are in millimeters.
 - B. Default tolerances are $\pm 0.5\text{mm}$ and angles are $\pm 3^\circ$.
2. Specifications subject to change or withdrawal without notice.