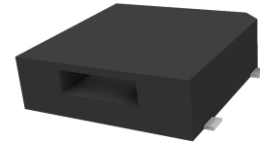




PUIaudio



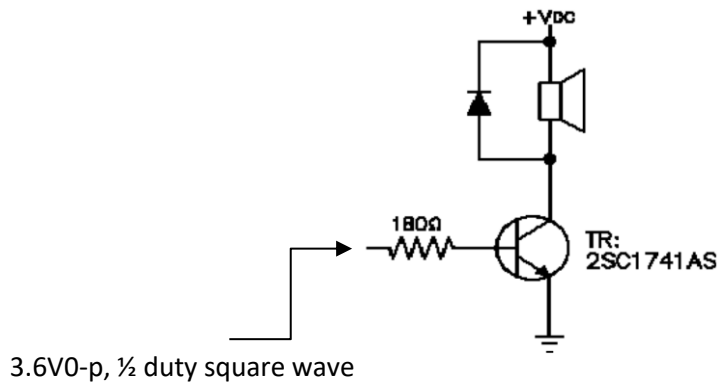
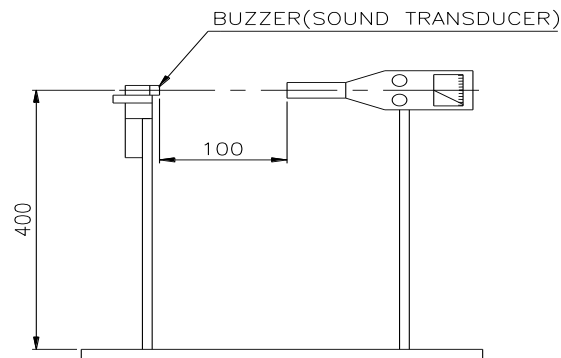
Data Sheet

SMT-1027-S-4-R

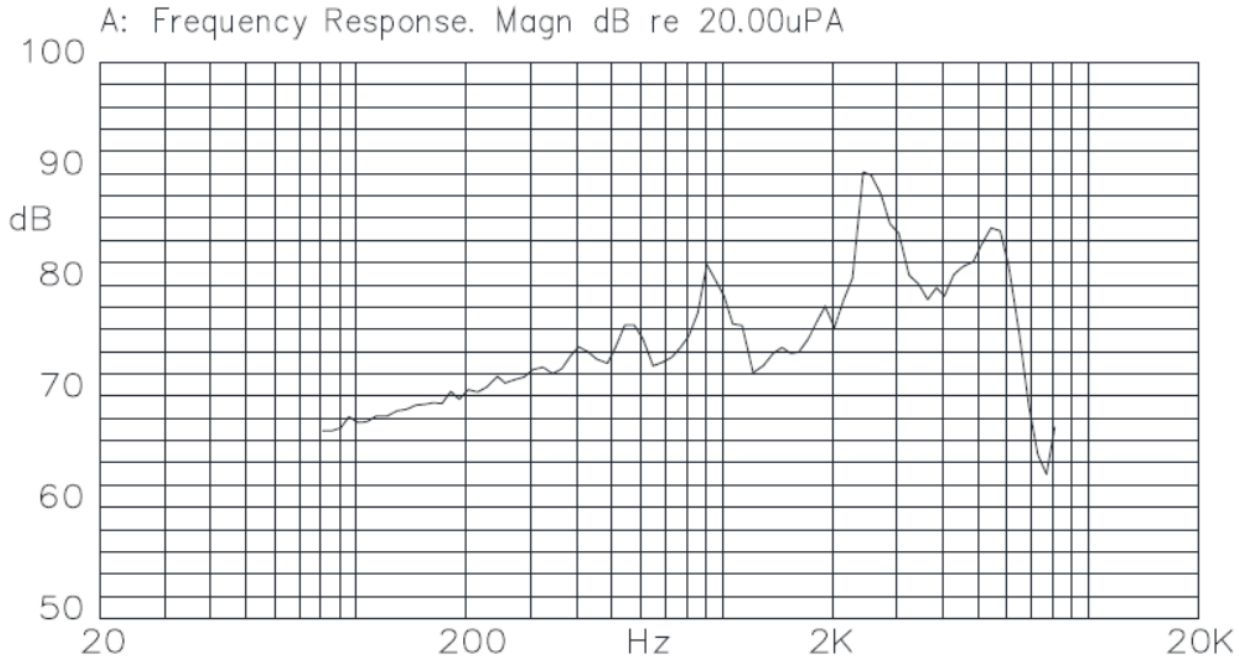
Specifications

Parameters	Values	Units
Rated Voltage	3.6	V0-pk
Operating Voltage Range	2.5 ~ 4.5	V0-pk
Current Draw at Rated Voltage	80	mA
Coil Resistance	20 ± 3	Ohms
Minimum SPL @ 10cm	85	dBA
Resonant Frequency	2,700 ± 500	Hz
Housing Material	LCP	-
Terminal Material	Sn Plating	-
Weight	0.6	Grams
Environmental Compliances	RoHS/REACH	-
Storage Temperature	-30 ~ 80	°C
Operating Temperature	-20 ~ 60	°C

Measurement Method (Temp: 5 ~ 35 °C; Humidity: 45 ~ 85%; Atmosphere: 860 ~ 1060hPa)



Typical Frequency Response

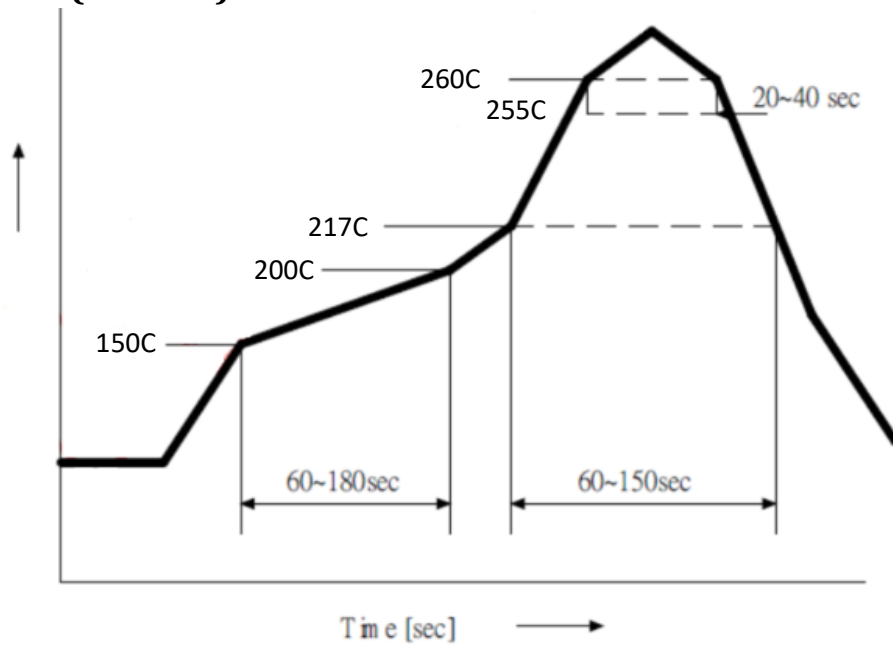


Reliability Testing

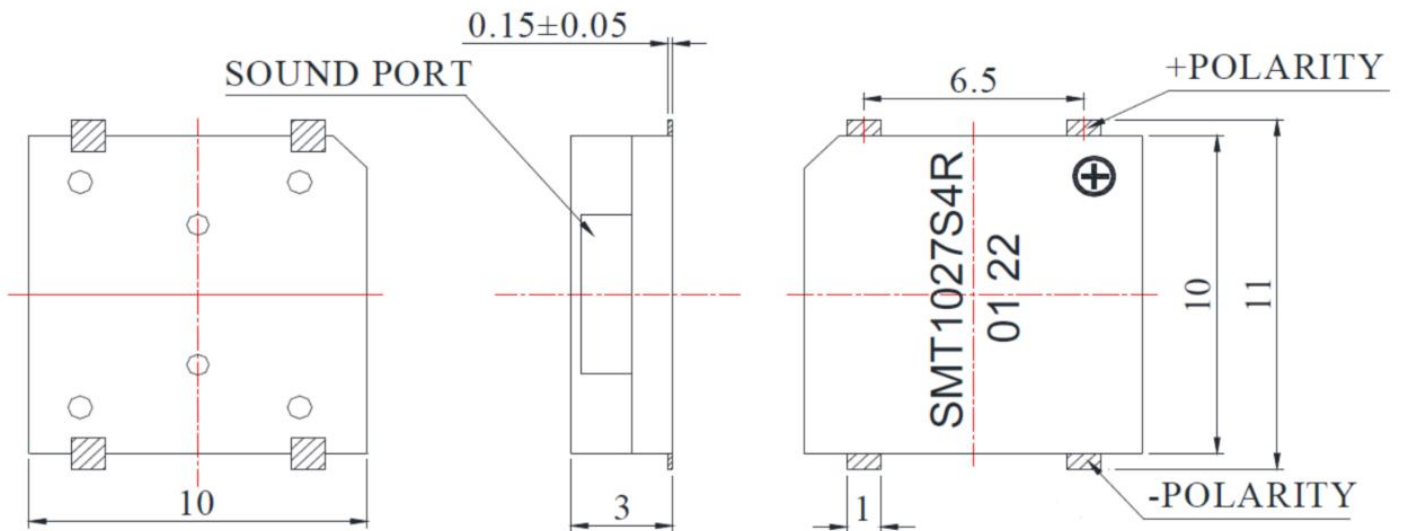
Type of Test	Test Specifications
High Temperature Test	96 hours at 80°C
Low Temperature Test	96 hours at -30°C
Humidity Test	Test 5 cycles. One cycle shall be of 24 hours.
Temperature Cycle Testing	Run the test for 10 cycles, with each cycle consisting of:
Vibration Test	Vibration amplitude of 1.5mm with 10-55hz band to each x,y,z direction for 2 hours.
Drop Test	Shall be dropped from height of 75cm onto 40mm thick wooden board 3 time in each x,y,z direction (total 9 times).

After reliability test, let rest for 4 hours before testing.

Reflow Profile (Pb Free)

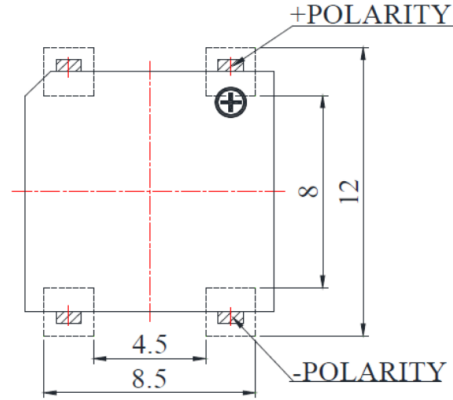


Dimensions

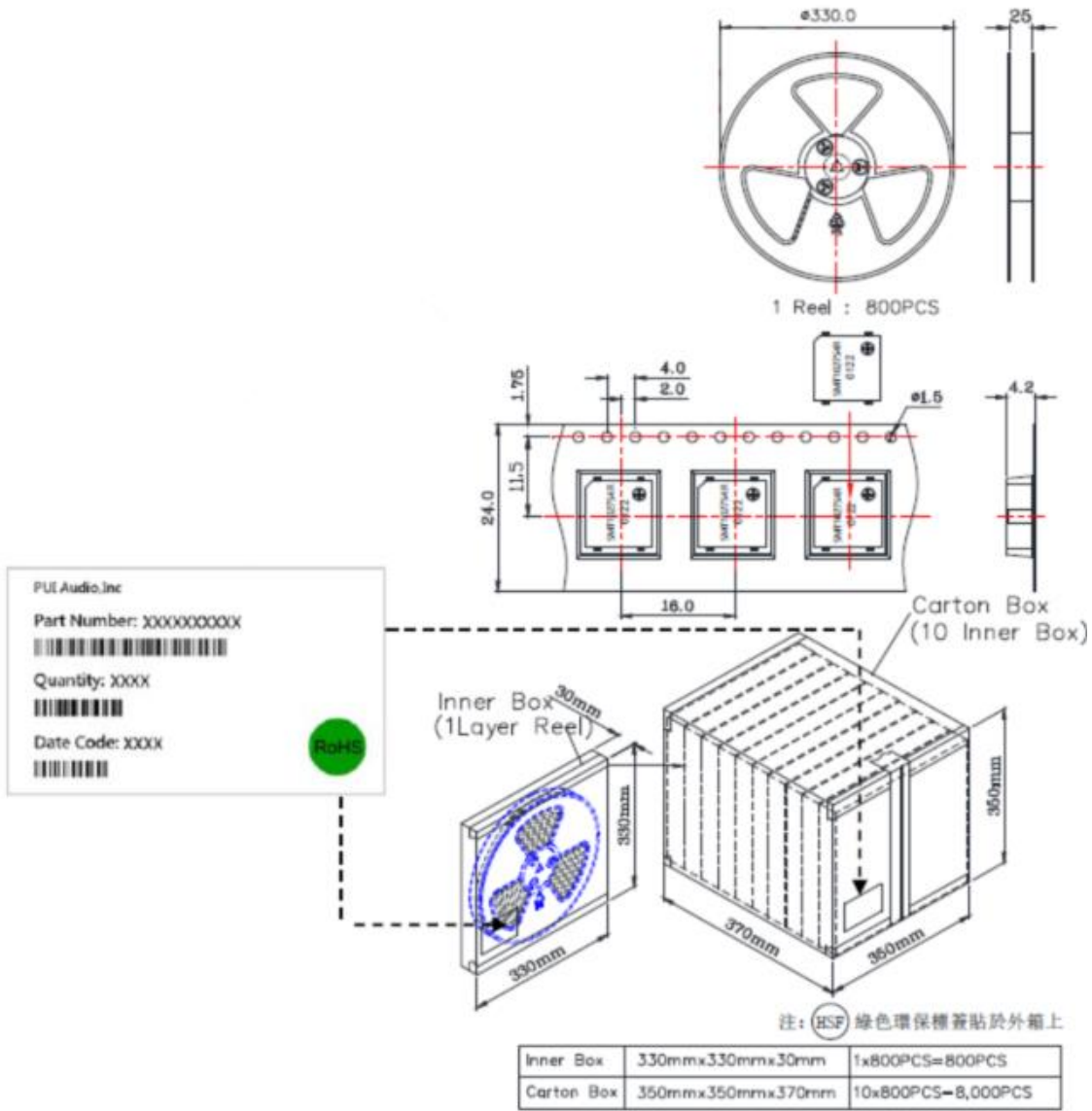


Tolerance: ±0.5mm

Recommended Land Pattern



Packaging



Specifications Revisions

Revision	Description	Date
A	Released from Engineering	11/17/2022

Note:

- 1. Unless otherwise specified:
 - A. All dimensions are in millimeters.
 - B. Default tolerances are $\pm 0.5\text{mm}$ and angles are $\pm 3^\circ$.
- 2. Specifications subject to change or withdrawal without notice.