



PUIaudio



Data Sheet

XL-5530L-LW300-S-R

Features:

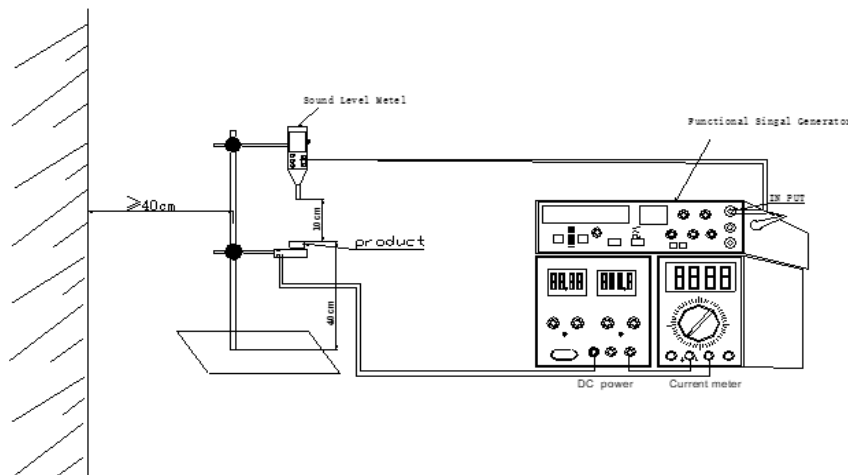
- High-Output Piezo Indicator
- 12VDC rated, 2000/4000Hz
- Siren Type

Specifications

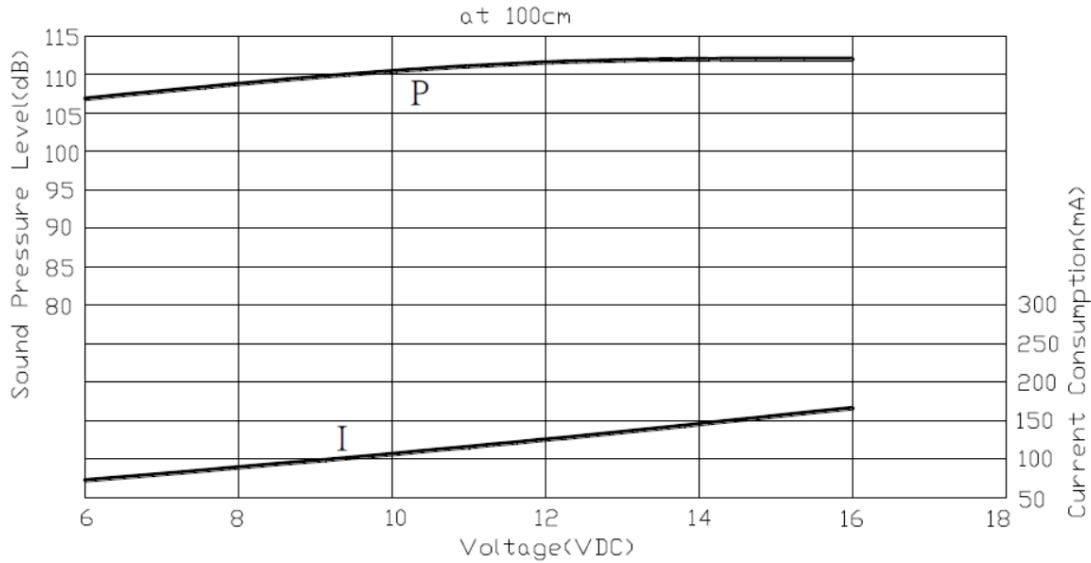
Parameters	Values	Units
Rated Voltage	12	VDC
Operating Voltage Range	6 ~ 16	VDC
Current Draw at Rated Voltage	260	mA
Minimum SPL @ 10cm	123	
Minimum SPL @100cm	105	dBA
Resonant Frequency	2,000/4,000 ± 500	Hz
Tone or Pulse Rate	Siren	3 pulse/sec
Housing Material	UL94 ABS	-
Terminal Material	Lead Wires	NON-UL AWG24
Weight	89.4	Grams
Acceptable Soldering Methods	Hand Solder	-
Environmental Compliances	RoHS/REACH	Ex. 7c-1
Storage Temperature	-40 ~ +70	°C
Operating Temperature	-40 ~ +70	°C

Measurement Method (Temperature: 25±3°C; Relative Humidity: 60% ~ 70%)

Standard Test Fixture (Distance: 10cm, 12VDC)



Typical SPL vs Input Voltage

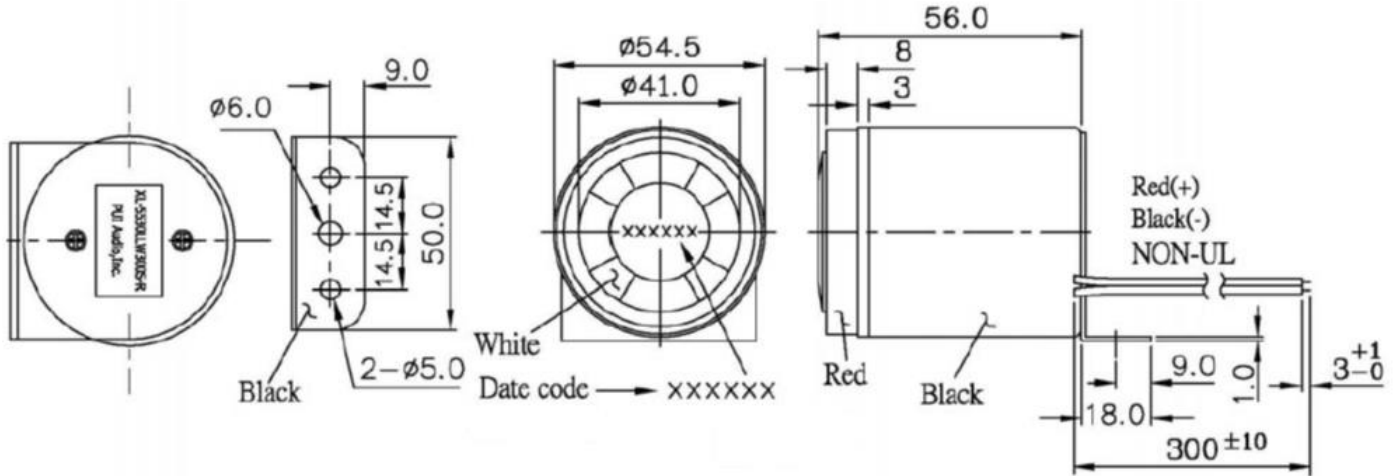


Reliability Testing

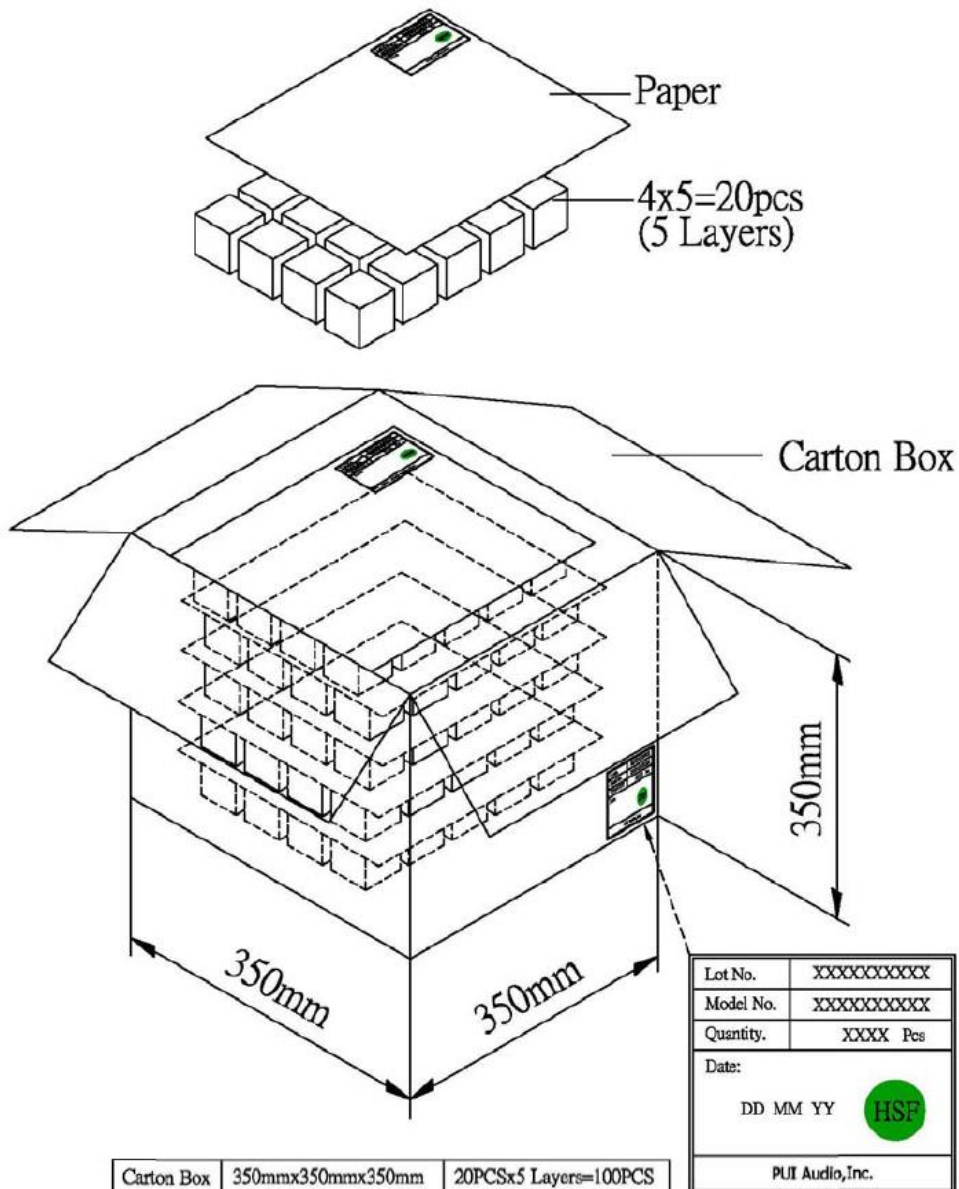
Type of Test	Test Specifications
High Temperature Test	Test chamber for 240 hours at +70°C, then rested at room temperature for 4 hours.
Low Temperature Test	Test chamber for 240 hours at -40°C, then rested at room temperature for 4 hours.
Humidity Test	Test chamber for 240 hours at +40°C with relative humidity at 90±5%, then rested at room temperature for 4 hours.
Temperature Cycle Testing	<p>Test repeated 5 times, then rest at room temperature for 4 hours.</p>
Vibration Test	1.5mm amplitude vibration with 10~55Hz band of vibration frequency for 2 hours. Repeat test in X, Y, Z directions (total 6 hours).
Solderability Test	Lead terminals immersed in rosin for 5 seconds, then in solder bath of +270±5°C for 3±1 seconds.
Lead Wire Pull Strength	3.0N horizontal force applied for 30 seconds. 2.0N vertical force applied for 30 seconds.
Drop Test	Free drop a unit from the height 75cm to the surface of 40mm thick board, three times. Repeat test in X, Y, Z directions (total 9 times).
Load Test	Apply rated voltage for 10 minutes continuously at +45°C. Apply a duty cycle of 1 minute on, 0.5 minutes off, 960 times at rated voltage and room temperature (+25±3°C).

Measurements should be ±10% compared with initial after testing. SPL should be ±10 dB.

Dimensions



Packaging



Carton Box	350mmx350mmx350mm	20PCSx5 Layers=100PCS
------------	-------------------	-----------------------

Specifications Revisions

Revision	Description	Date	Approved
-	RELEASED FROM ENGINEERING	05/16/2006	-
A	REVISED TO INVENTOR 3D DRAWING TEMPLATE	03/26/2008	BR
B	REVISED LENGTH DIMENSION	09/01/2011	BR
C	REVISED OPERATING TEMPERATURE	04/09/2018	MV
D	REVISED OPERATING TEMPERATURE	11/21/2019	ML
E	REVISED WEIGHT	02/27/2020	MV
F	Update Spec Format and Drawing Image, Add Lead Wire size AWG24	08/08/2024	ML

Note:

- Unless otherwise specified:
 - All dimensions are in millimeters.
 - Default tolerances are $\pm 0.5\text{mm}$ and angles are $\pm 3^\circ$.
- Specifications subject to change or withdrawal without notice.