

THIS DOCUMENT CONTAINS DATA PROPRIETARY TO PROJECTS UNLIMITED, INC. ANY USE OR REPRODUCTION, IN ANY FORM, WITHOUT PRIOR WRITTEN PERMISSION OF PROJECTS UNLIMITED, INC. IS PROHIBITED.

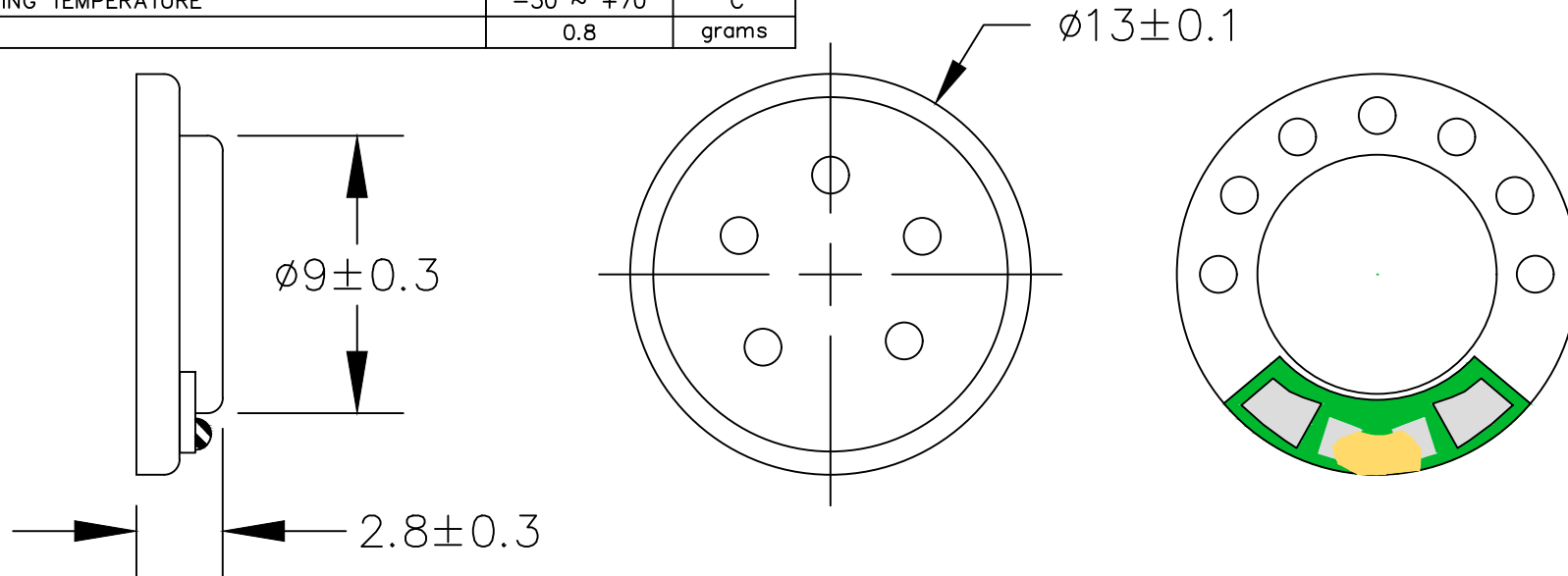
© 2005, Projects Unlimited Inc.

SPECIFICATIONS

PARAMETERS	VALUES	UNITS
RATED INPUT POWER	0.2	W
MAX INPUT POWER	0.3	W
IMPEDANCE	16±15%	OHM
OUTPUT SPL @ 0.1W/0.1M (AT 0.8, 1.0, 1.2, 1.5 kHz)	85±3	dB
DISTORTION (MAX.)	5%	—
RESONANT FREQUENCY	1100±20%	Hz
FREQUENCY RANGE	F _o ~ 5,000	Hz
HOUSING MATERIAL	METAL	—
CONE MATERIAL	MYLAR	—
MAGNET MATERIAL	NdFeB	—
OPERATING TEMPERATURE	-30 ~ +70	°C
WEIGHT	0.8	grams

REVISIONS

LTR	DESCRIPTION	DATE	APPROVED
-	RELEASED FROM ENGINEERING	7/30/15	



NOTES:

1. ALL DIMENSIONS ARE IN MILLIMETERS.
2. SPECIFICATION SUBJECT TO CHANGE OR WITHDRAWAL WITHOUT NOTICE.
3. THIS PART IS RoHS 2011/65/EU COMPLIANT.

UNLESS OTHERWISE SPECIFIED:
ALL PURCHASES ARE SUBJECT TO THE PUI AUDIO
TERMS AND CONDITIONS SALE FOUND AT
http://www.puiaudio.com/pdf/terms_conditions.pdf
(paper copy available upon request).
DIMENSIONS ARE IN MILLIMETERS. TOLERANCES ARE
±0.5 AND ANGLES ARE ±3°.



3541 Stop Eight Road
Dayton, Ohio 45414

BASE SPEAKER:
AS01308MR-2-R
FILE NAME
AS01316MR-R.DWG

APPROVALS	DATE
DRAWN <i>M.L.</i>	7/15
CHECKED <i>M.L.</i>	7/15
APPROVED <i>B.R.</i>	7/15

SIZE
A

SPEAKER

DRAWING NO.
AS01316MR-R

SCALE: N.T.S.

SHEET 1 OF 1