



Data Sheet

AT-2428-TT-R

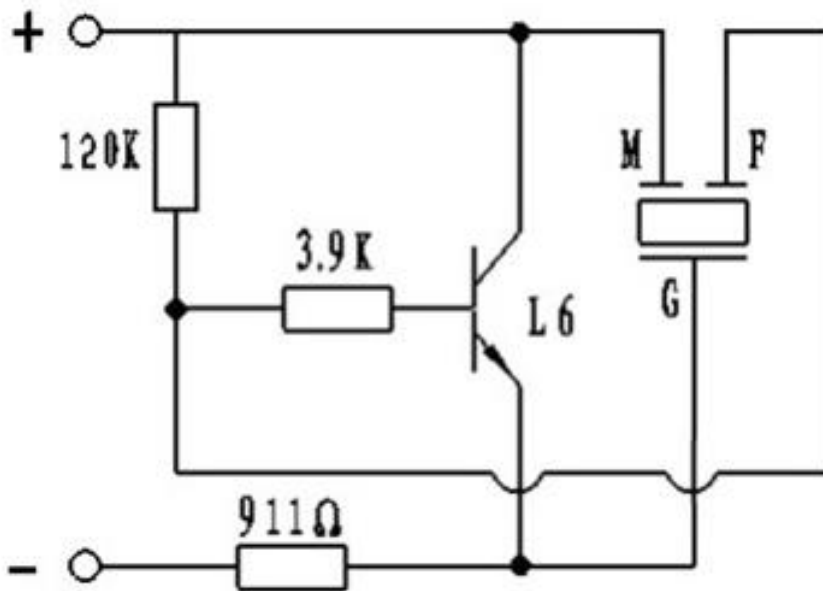
**Features:**

- 90 dB output with 12V, 3400 Hz input
- Hand solder and wave solder acceptable
- White PBT housing for use in appliances

**Specifications**

Parameters	Values	Units
Rated Voltage	12	Vp-p
Operating Voltage Range	5 ~ 20	Vp-p
Current Draw at Rated Voltage	≤12	mA
Minimum SPL @ 10cm	≥90	dBA
Resonant Frequency	3400±500	Hz
Housing Material	White PBT	-
Weight	3.3	Grams
Acceptable Soldering Methods	Hand Solder, Wave Solder	See Page 3 for details
Environmental Compliances	RoHS	-
Storage Temperature	-30 ~ +85	°C
Operating Temperature	-30 ~ +70	°C

**Recommended Drive Circuit**

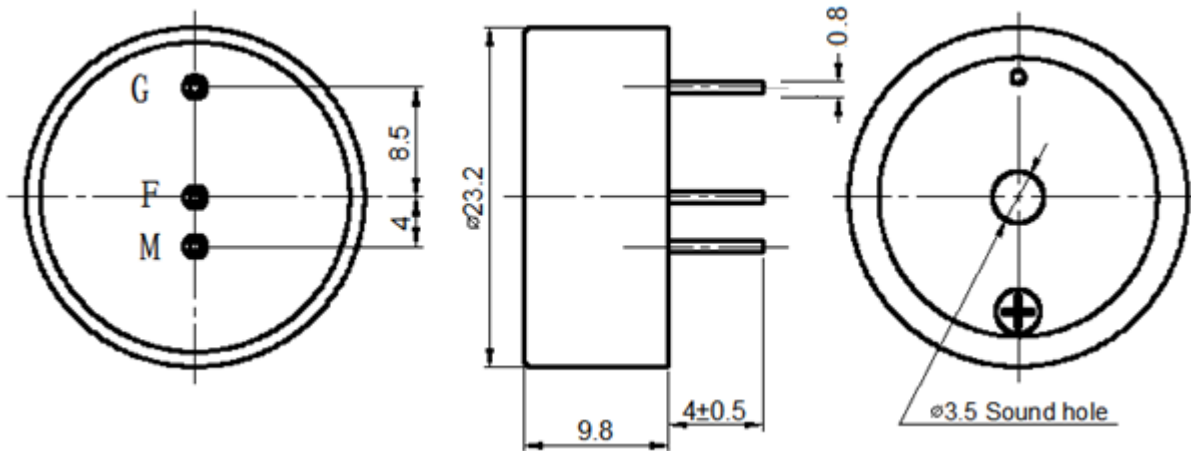


## Reliability Testing

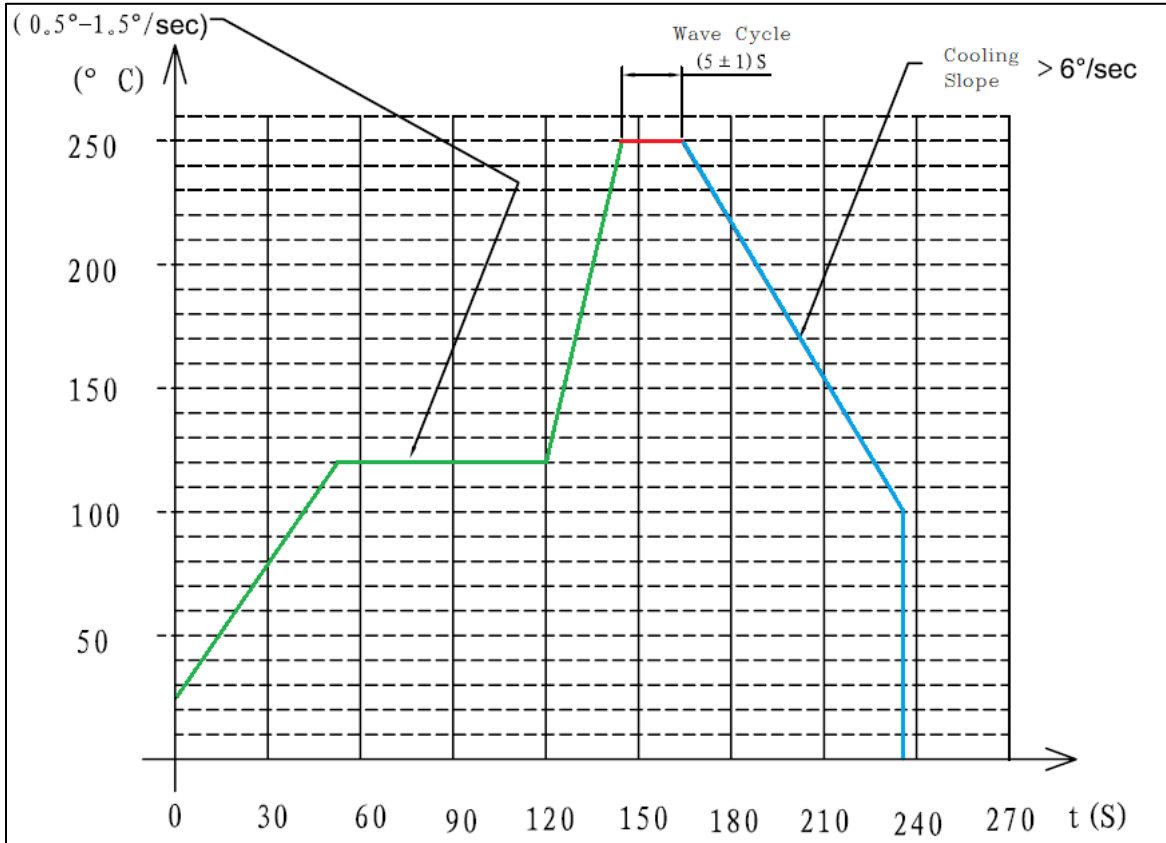
Type of Test	Test Specifications
High Temperature Test	+90±2°C, 96 Hours
Low Temperature Test	-40±2°C, 96 Hours
Humidity Test	40±2°C, 93(+2/-3)% RH for 96Hrs
Temperature Cycle Testing	-40±2°C, 30minutes +20±2°C, 15 minutes +90±2°C, 30 minutes +20±2°C, 15 minutes Total of 5 cycles
Vibration Test	10 to 55 Hz band of vibration frequency to each of 3 perpendicular directions for 2 hrs.
Drop Test	The part shall be dropped from the height of 70cm onto a 10mm thick wooden board; 3 times per axial direction (x, y &z) a total of 9 times.

After 4 hours at room temperature, the product shall meet specifications. SPL should be within ±10dB compared with initial value.

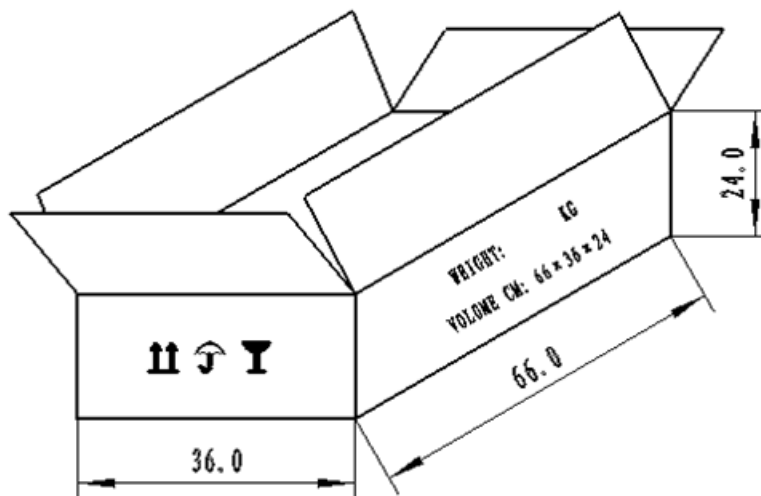
## Dimensions (Units: mm Tolerance: ±0.5mm)



## Recommended Wave Soldering Procedure



## Packaging



### NOTES:

1. 50 PCS per bag
2. Total 40 bags per carton
3. Total 2000 PCS a carton
4. Volume: 66 x 36 x 24cm

**Specifications Revisions**

<b>Revision</b>	<b>Description</b>	<b>Date</b>
-	Released from Engineering	4/6/20

**Note:**

1. Unless otherwise specified:
  - A. All dimensions are in millimeters.
  - B. Default tolerances are  $\pm 0.5\text{mm}$  and angles are  $\pm 3^\circ$ .
2. Specifications subject to change or withdrawal without notice.